

# CDP-227ESD/507ESD

## SERVICE MANUAL

*AEP Model*  
*UK Model*  
 CDP-227ESD  
*US Model*  
*Canadian Model*  
*E Model*  
 CDP-507ESD



photo: CDP-507ESD

### SPECIFICATIONS

#### Compact disc player

System	Compact disc digital audio system
Laser	Semiconductor laser ( $\lambda = 780 \text{ nm}$ )
Emission duration	Continuous
Laser output	Max. $44.6 \mu\text{W}$ <small>* This output is the value measured at a distance of 200 mm from the objective lens surface on the Optical Pick-up Block.</small>
Frequency response	2 Hz – 20 kHz $\pm 0.5\text{dB}$
Signal to noise ratio	More than 106 dB
Dynamic range	More than 96 dB
Harmonic distortion	Less than 0.0025%
Wow and flutter	Below measurable limit
Channel separation	More than 100dB

#### Outputs

LINE OUT (FIXED) (phono jacks)	Output level 2 V (at 50 kilohms) Load impedance over 10 kilohms
LINE OUT (VARIABLE) (phono jacks)	Output level max. 2 V (at 50 kilohms) Load impedance over 50 kilohms
DIGITAL OUT (COAXIAL) (phono jacks)	Output level 0.5 V <sub>p-p</sub> (at 75 ohms) Load impedance 75 ohms
DIGITAL OUT (OPTICAL) (optical output connector)	Wave length 660 nm Output level $-18 \text{ dBm}$
HEADPHONES (stereo phone jack)	Output level max. 28 mW Load impedance 32 ohms

#### General

Power requirements	AEP model (CDP-227ESD) 220 V AC (or 240 V AC adjustable by Sony personnel), 50/60 Hz UK model (CDP-227ESD) 240 V AC (or 220 V AC adjustable by Sony personnel), 50/60 Hz US, Canadian model (CDP-507ESD) 120 V AC, 60 Hz E model (CDP-507ESD) 110, 120, 220 or 240 V AC adjustable, 50/60 Hz
Power consumption	22 W
Dimensions (approx.)	430 x 110 x 345 mm (w/h/d) (17 x 4 $\frac{3}{8}$ x 13 $\frac{3}{8}$ inches) including projecting parts and controls
Weight (approx.)	6.3 kg (13 lbs 15 oz)

#### Supplied accessories

Audio signal connecting cord	1 (2 phono plugs—2 phono plugs)
Remote commander	1
Sony SUM-3 (NS) batteries	2
Screw driver	1

— Continued on page 2 —



COMPACT DISC PLAYER  
**SONY**®

## Remote commander

Remote control system	Infrared control
Power requirements	3V DC with two R6 (size AA) batteries
Dimensions	Approx. 62 × 20 × 168.5 mm (w/h/d) (2½ × 13/16 × 6¾ inches)
Weight	Approx. 130 g (5 oz) including batteries

## Optional accessory

Optical cable POC-15

## Note

This appliance conforms with EEC Directives 76/889 and 82/499 regarding interference suppression.

## Features

### Custom file function

- **Disc memo function** for writing a comment about a disc.
- **Program bank function** for storing a programmed playing order.
- **Custom index function** for assigning your own index point to any desired position on a disc.

### Program play

You can play up to 20 selections in the desired order. Pause can be also programmed. You can also confirm the total playing time while choosing the selection to be programmed.

### Variety of playing modes

Single play, program play, shuffle play and repeat play as well as normal continuous play of a whole disc.

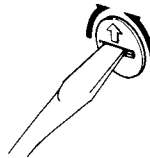
### Large and easy-to-read window display

Shows the elapsed playing time, the remaining time of the selection being played, the remaining time of the whole disc or the remaining programmed selection numbers. The display contains a music calendar indicating all the numbers of the selections on the disc



## Operating Voltage

Before connecting the unit to the power source, check that the operating voltage of your unit is the same as the local power line voltage.


Model	Where purchased	Operating voltage
	AEP model	Operates on 220V AC (or 240V AC adjustable by authorized Sony personnel), 50/60Hz
	UK model	Operates on 240V AC (or 220V AC adjustable by authorized Sony personnel), 50/60 Hz
	Canada model	Operates on 120V AC, 60Hz
	E model	Operates on either 110, 120, 220 or 240V AC, 50/60Hz. The voltage selector is located on the rear panel. If the selector must be reset, <b>disconnect the AC power cord</b> and turn the selector with a coin or a similar object so that the arrow mark of the selector points to the proper voltage figure.



### SAFETY-RELATED COMPONENT WARNING!!

COMPONENTS IDENTIFIED BY MARK  OR DOTTED LINE WITH MARK  ON THE SCHEMATIC DIAGRAMS AND IN THE PARTS LIST ARE CRITICAL TO SAFE OPERATION. REPLACE THESE COMPONENTS WITH SONY PARTS WHOSE PART NUMBERS APPEAR AS SHOWN IN THIS MANUAL OR IN SUPPLEMENTS PUBLISHED BY SONY.

### ATTENTION AU COMPOSANT AYANT RAPPORT À LA SÉCURITÉ!

LES COMPOSANTS IDENTIFIÉS PAR UNE MARQUE  SUR LES DIAGRAMMES SCHÉMATIQUES ET LA LISTE DES PIÈCES SONT CRITIQUES POUR LA SÉCURITÉ DE FONCTIONNEMENT. NE REMPLACER CES COMPOSANTS QUE PAR DES PIÈCES SONY DONT LES NUMÉROS SONT DONNÉS DANS CE MANUEL OU DANS LES SUPPLÉMENTS PUBLIÉS PAR SONY.

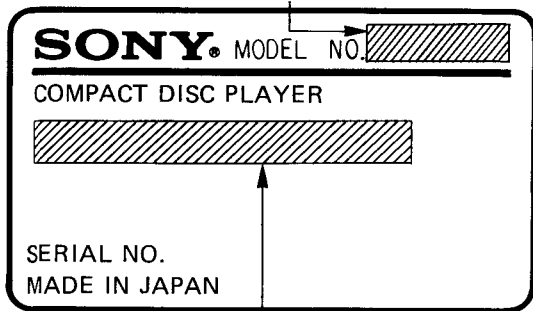
**TABLE OF CONTENTS**

<u>Section</u>	<u>Title</u>	<u>Page</u>
Specifications	.....	1
Features	.....	2
Operating Voltage	.....	2
Safety Check-out	.....	3
Model Identification	.....	3
<b>SECTION 1. GENERAL</b>		
Protection of Eyes from Laser Beam During Servicing		
.....	.....	4
Location and Function of Controls	.....	5
Servicing Note	.....	6
<b>SECTION 2. ADJUSTMENTS</b>		
<b>SECTION 3. DIAGRAMS</b>		
3-1. IC Block Diagrams	.....	10
3-2. Block Diagram	.....	11
3-3. Printed Wiring Boards (Display Section)	.....	13
3-4. Semiconductor Lead Layouts	.....	13
3-5. Schematic Diagram (Display Section)	.....	15
3-6. Waveforms	.....	19
3-7. Printed Wiring Boards (Main Section)	.....	20
3-8. Schematic Diagram (Main Section 1/2)	.....	23
3-9. Schematic Diagram (Main Section 2/2)	.....	26
<b>SECTION 4. EXPLODED VIEWS</b>		
<b>SECTION 5. ELECTRICAL PARTS LIST</b>		

**MODEL IDENTIFICATION**

— Specification Label —

CDP-227ESD (AEP, UK model)  
 CDP-507ESD (US, Canadian, E model)



<b>CDP-227ESD</b>				
AEP, UK model:	AC 220 – 240 V	50/60 Hz	20W	
<b>CDP-507ESD</b>				
US, Canadian model:	AC 120 V	60 Hz	20 W	
E model:	AC 110, 120, 220 – 240 V	50/60 Hz	20 W	

**CDP-507ESD:**

**SAFETY CHECK-OUT**

After correcting the original service problem, perform the following safety check before releasing the set to the customer:

Check the antenna terminals, metal trim, “metallized” knobs, screws, and all other exposed metal parts for AC leakage. Check leakage as described below.

**LEAKAGE TEST**

The AC leakage from any exposed metal part to earth ground and from all exposed metal parts to any exposed metal part having a return to chassis, must not exceed 0.5 mA (500 microampers). Leakage current can be measured by any one of three methods.

1. A commercial leakage tester, such as the Simpson 229 or RCA WT-540A. Follow the manufacturers’ instructions to use these instruments.
2. A battery-operated AC milliammeter. The Data Precision 245 digital multimeter is suitable for this job.
3. Measuring the voltage drop across a resistor by means of a VOM or battery-operated AC voltmeter. The “limit” indication is 0.75 V, so analog meters must have an accurate low-voltage scale. The Simpson 250 and Sanwa SH-63Trd are examples of a passive VOM that is suitable. Nearly all battery operated digital multimeters that have a 2 V AC range are suitable. (See Fig. A)

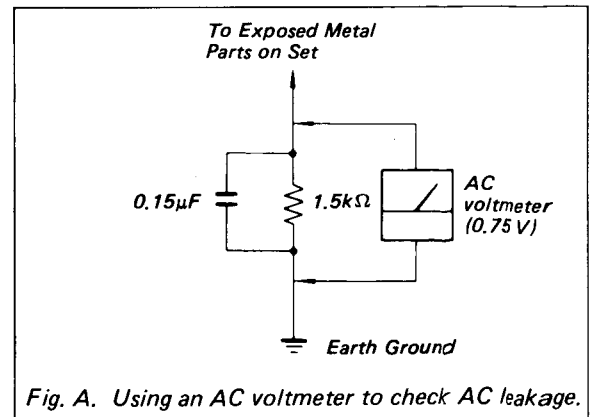


Fig. A. Using an AC voltmeter to check AC leakage.

## PROTECTION OF EYES FROM LASER BEAM DURING SERVICING

This set employs a laser. Therefore, be sure to follow carefully the instructions below when servicing.

### CAUTION

Use of controls or adjustments or performance of procedures other than those specified herein may result in hazardous radiation exposure.

### 1. Laser Diode Properties

- Material: GaAlAs
- Wavelength: 780 nm
- Emission Duration: continuous
- Laser Output: max. 44.6  $\mu$ W\*

\* This output is the value measured at a distance of about 200 mm from the objective lens surface on the Optical Pick-up Block.

2. During service, do not take the Optical Pick-up Block apart, and do not adjust the APC circuit. If there is a breakdown in the APC circuit (including laser diode), replace the entire Optical Pick-up Block (including APC board).

## BESKYTTELSE AF ØJNE MOD LASERSTRÅLING UNDER SERVICE

I dette apparat anvendes laserlys. Derfor skal nedenstående instruktioner nøje følges under service.

Følg iøvrigt instruktionerne i servicemanualen.

### ADVARSEL!!

Under service må øjnene ikke komme nær objektiv-linsen på den optiske pick-up enhed. I tilfælde af at det er nødvendigt at kontrollere udsendelsen af laserlys, skal det ske i en afstand af mere end 25 cm fra den optiske pick-up.

### 1. Laser-dioe data

- Materiale: GaAlAs
- Bølgelængde: 780 nm
- Udstråling: Kontinuerlig
- Laseroutput: Max. 0,4 mW\*

\* Målt i 1,6 mm afstand fra overfladen af objektiv-linsen på den optiske pick-up enhed.

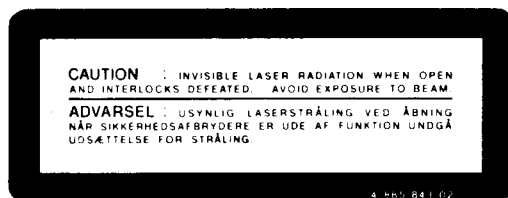
- Klassifikation: Klasse IIIb.

2. Adskil aldrig den optiske pick-up enhed under service, og juster ikke APC kredsløbet (Automatic Power Control). Hvis APC kredsløbet (incl. laserdioden) bryder ned, skal hele den optiske pick-up enhed (incl. APC printkortet) udskiftes.

## LASER ADVARSEL MÆRKNING

Følgende mærkning findes indvendig i apparatet:

### 1. Advarsel Mærkning

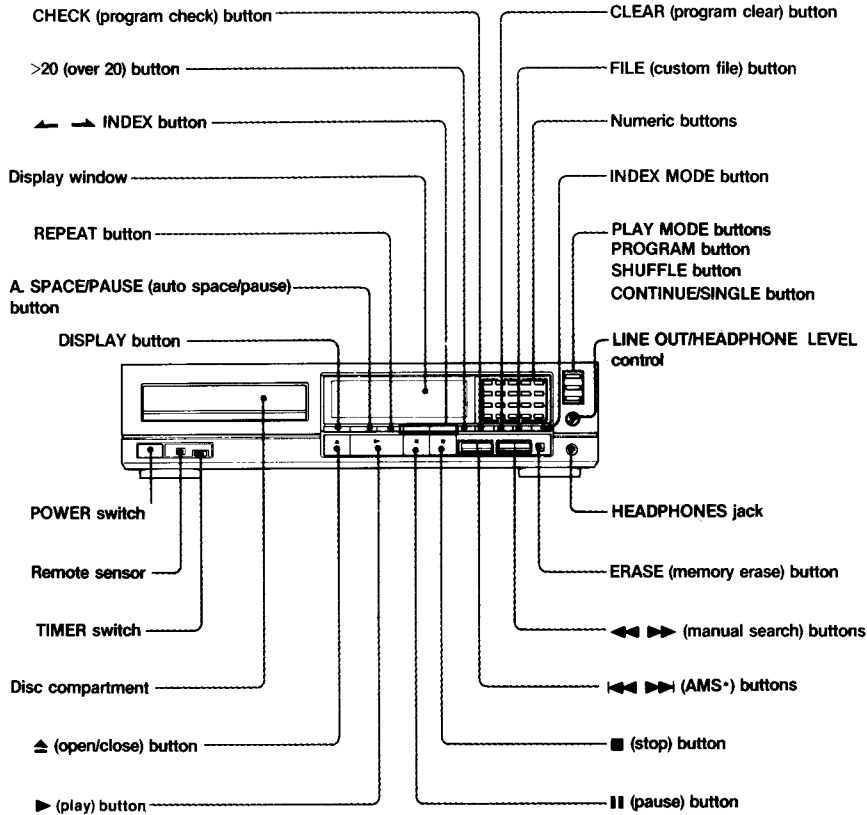


**VAROITUS:** Laite sisältää, laserdiodin, joka lähettää (näkyvätöntä) silmille vaarallista lasersäteilyä.

# SECTION 1 GENERAL

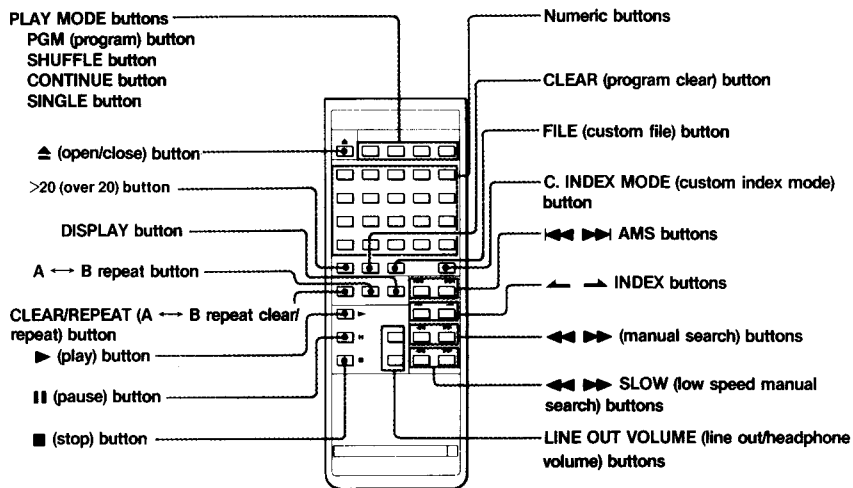
## LOCATION AND FUNCTION OF CONTROLS

**Front Panel** **CDP-227ESD/CDP-507ESD**



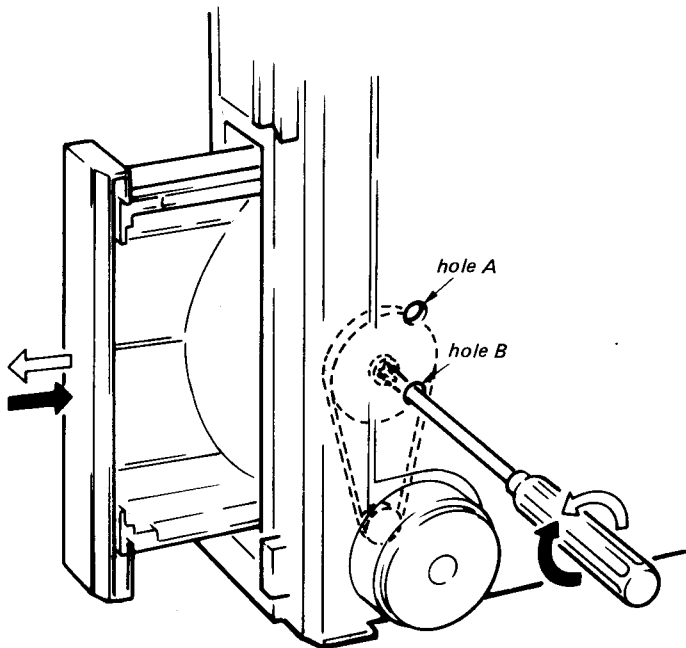
\* AMS is an abbreviation of Automatic Music Sensor.

**Remote Commander**



—SERVICING NOTE—

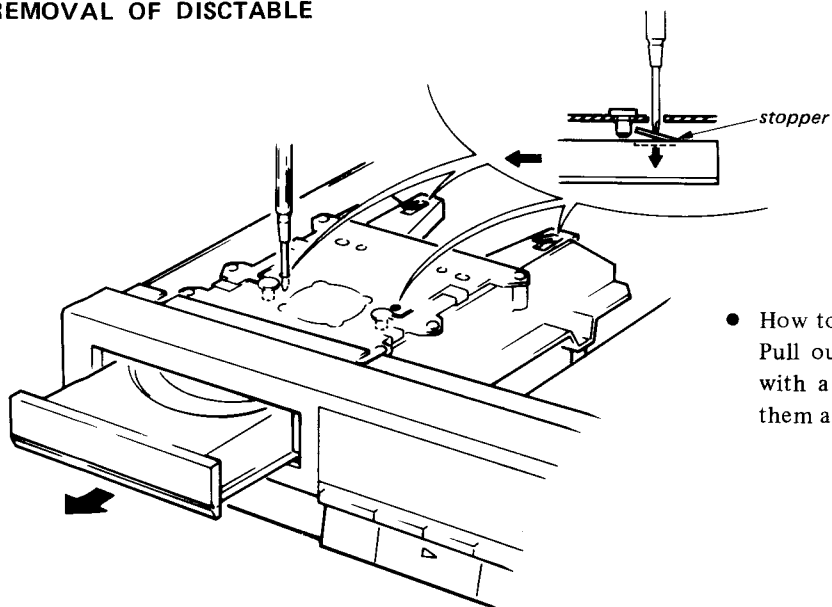
MANUAL OPENING OF DISCTABLE



- How to open the disctable manually.  
Insert a screwdriver(+) into the B hole on the bottom plate as shown in the figure and turn the loading-pully shaft counter-clockwise, then the disctable will push out slowly.

- Caution on closing the disctable.  
The disctable cannot be stored thoroughly in the cabinet, when the optical block is under a chucking state. To recover from the chucking state, turn the driver through the B hole gradually and close the disctable.

REMOVAL OF DISCTABLE



- How to remove the disctable.  
Pull out the disctable fully. Press the stoppers down with a precision driver to release the disctable from them and remove it.

**NOTES ON HANDLING THE OPTICAL PICK-UP BLOCK OR BASE UNIT**

The laser diode in the optical pick-up block may suffer electrostatic breakdown because of the potential difference generated by the charged electrostatic load, etc. on clothing and the human body. During repair, pay attention to electrostatic breakdown and also use the procedure in the printed matter which is included in the repair parts. The flexible board is easily damaged and should be handled with care.

## SECTION 2 ADJUSTMENTS

### ELECTRICAL ADJUSTMENTS

1. Perform adjustments in the order given.
2. Use YEDS-18 (8-702-101-01) disc unless otherwise indicated.
3. Use the oscilloscope with more than 10 MΩ impedance.

#### Adjustment Mode

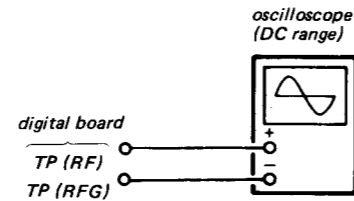
1. Connect main board test point ADJ and GND.  
(This is to prevent the disc table from opening even though pits are not read, by making micro-computer IC301 pin ⑧ low.)
2. Turn POWER switch on.  
(To reset microcomputer.)  
After adjustment, remove the lead wire connecting test points ADJ and GND.

Adjustment Location: main board

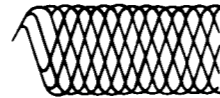
### Focus Bias Adjustment

This adjustment should be made when replacing optical pick-up.

#### Procedure:



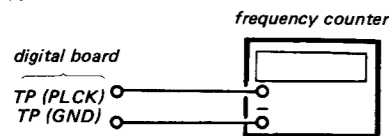
1. Connect oscilloscope to test points RF and RFG.
2. Put set into adjustment mode.
3. Turn POWER switch on.
4. Put disc (YEDS-18) in and press ► button.
5. Adjust RV104 for an optimum waveform eye pattern or so that the peak is maximum. Optimum eye pattern means that shape "◇" can be clearly distinguished at the center of the waveform.



Adjustment Location: main board

### RF PLL Adjustment

#### Procedure:



1. Connect main board test point ASY and GND.
2. Connect the frequency counter to main board test points TP PLCK and TP GND.
3. Turn POWER switch ON (stop mode).
4. Adjust main board RV201 so that reading on frequency counter is 4.3218 MHz ± 3 kHz.
5. Reconnect lead wires connected in adjustment mode.
6. Put disc (YEDS-18) in and press ► PLAY button.
7. Confirm that reading on frequency counter is 4.3218 MHz.

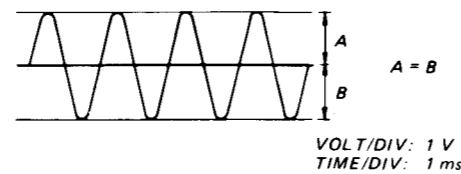
Adjustment Location: main board

### E-F Balance Adjustment

This adjustment should be made when replacing optical pick-up.

#### Procedure:

1. Connect oscilloscope to test points TEO and GND.
2. Put set into adjustment mode.
3. Connect TP(TES) to ground.
4. Turn POWER switch on.
5. Put disc (YEDS-18) in and press ► button.
6. Adjust RV101 so that the traverse waveform is symmetrical above and below.
7. After adjustment, cancel the adjustment mode.



## REFERENCE

### Focus/Tracking Gain Adjustment

A frequency response analyzer is necessary in order to perform this adjustment exactly.

However, this gain has a margin, so even if it is slightly off, there is no problem. Therefore, do not perform this adjustment.

Focus/tracking gain determines the pick-up follow-up (vertical and horizontal) relative to mechanical noise and mechanical shock when the 2-axis device operate.

However, as these reciprocate, the adjustment is at the point where both are satisfied.

- When gain is raised, the noise when the 2-axis device operates increases.
- When gain is lowered, it is more susceptible to mechanical shock and skipping occurs more easily.
- When gain adjustment is off, the symptoms below appear.

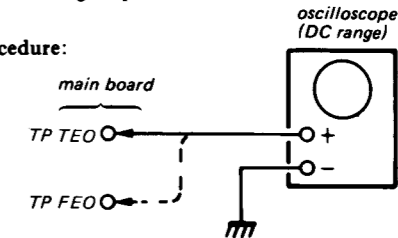
Symptoms	Gain	Focus	Tracking
• The time until music starts becomes longer for STOP → ►PLAY or automatic selection (◀▶ buttons pressed. (Normally takes about 2 seconds.)		low	low or high
• Music does not start and disc continues to rotate for STOP → ►PLAY or automatic selection (◀▶ buttons pressed.)		—	low
• Disc table opens shortly after STOP → ►PLAY.		low or high	—
• Sound is interrupted during PLAY. Or time counter display stops progressing.		—	low
• More poise during 2-axis device operation.	high	high	high

The following is a simple adjustment method.

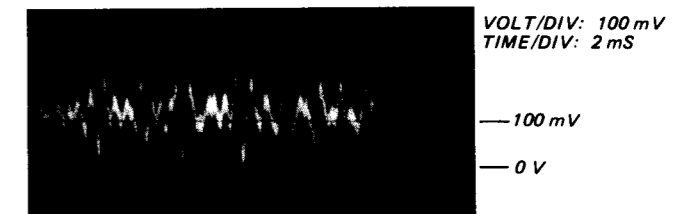
#### Simple Adjustment

**Note:** Since exact adjustment cannot be performed, remember the positions of the controls before performing the adjustment. If the positions after the simple adjustment are only a little different, return the controls to the original position.

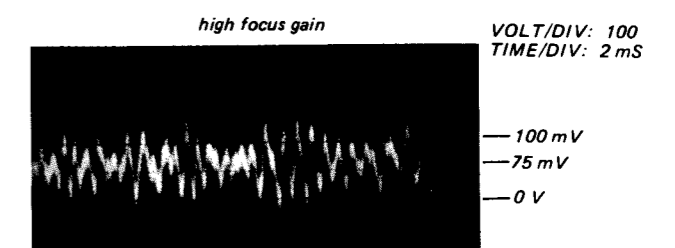
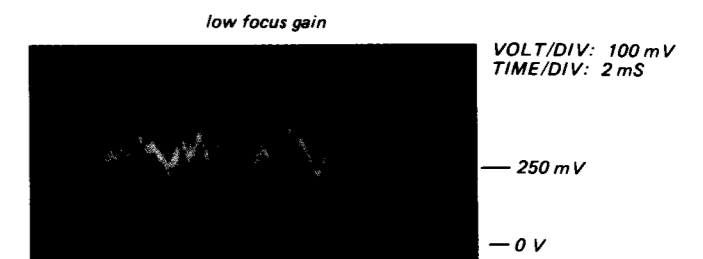
#### Procedure:



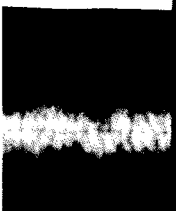
1. Keep the set horizontal.  
(If the set is not horizontal, this adjustment cannot be performed due to the gravity against the 2 axis device.)
2. Put set in adjustment mode.
3. Insert disc (YEDS-1) and press ► PLAY button.
4. Connect oscilloscope servo board TP FEO.
5. Adjustment RV203 so that the waveform is as shown in the figure below. (focus gain adjustment)



- Inccornt Examples (DC level changes more than on adjusted waveform)



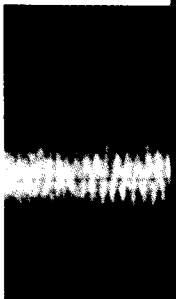
6. Connect oscillo
7. Adjust RV304 the figure below



- Inccornt Exam



- high tracking ga
- (higher fundame



- Adjustment Loca

**REFERENCE**

**Focus/Tracking Gain Adjustment**

A frequency response analyzer is necessary in order to perform this adjustment exactly.

However, this gain has a margin, so even if it is slightly off, there is no problem. Therefore, do not perform this adjustment.

Focus/tracking gain determines the pick-up follow-up (vertical and horizontal) relative to mechanical noise and mechanical shock when the 2-axis device operate.

However, as these reciprocate, the adjustment is at the point where both are satisfied.

- When gain is raised, the noise when the 2-axis device operates increases.
- When gain is lowered, it is more susceptible to mechanical shock and skipping occurs more easily.
- When gain adjustment is off, the symptoms below appear.

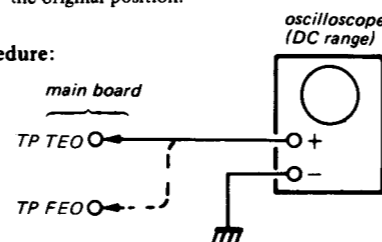
Symptoms	Gain	Focus	Tracking
• The time until music starts becomes longer for STOP →▶PLAY or automatic selection (◀▶▶▶) buttons pressed. (Normally takes about 2 seconds.)		low	low or high
• Music does not start and disc continues to rotate for STOP →▶PLAY or automatic selection (◀▶▶▶) buttons pressed.)		-	low
• Disc table opens shortly after STOP →▶PLAY.		low or high	-
• Sound is interrupted during PLAY. Or time counter display stops progressing.		-	low
• More poise during 2-axis device operation.		high	high

The following is a simple adjustment method.

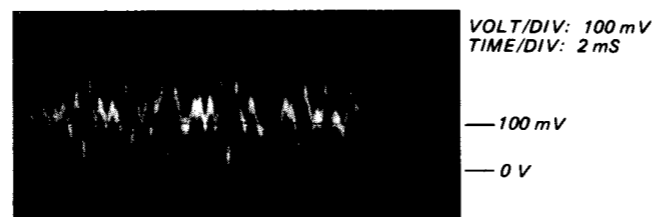
– Simple Adjustment –

**Note:** Since exact adjustment cannot be performed, remember the positions of the controls before performing the adjustment. If the positions after the simple adjustment are only a little different, return the controls to the original position.

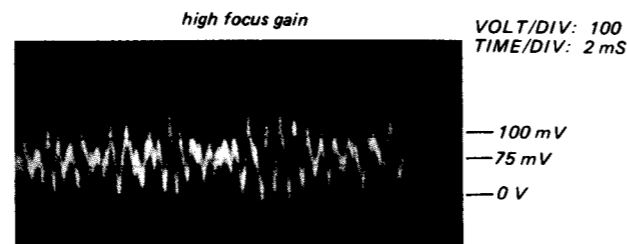
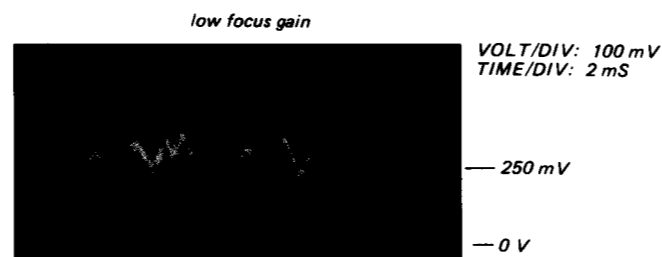
**Procedure:**



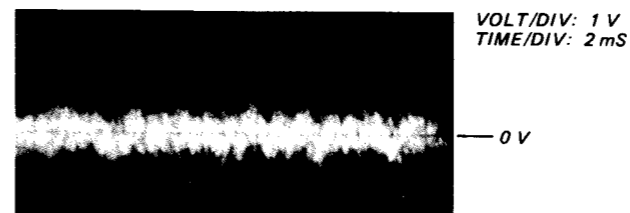
1. Keep the set horizontal.  
(If the set is not horizontal, this adjustment cannot be performed due to the gravity against the 2 axis device.)
2. Put set in adjustment mode.
3. Insert disc (YEDS-1) and press ▶PLAY button.
4. Connect oscilloscope servo board TP FEO.
5. Adjustment RV203 so that the waveform is as shown in the figure below. (focus gain adjustment)



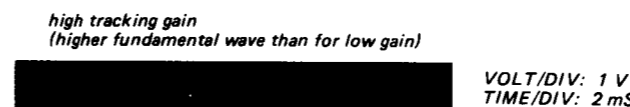
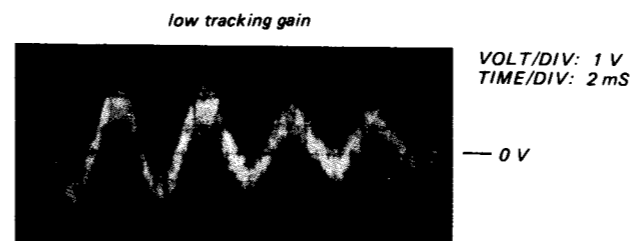
• Incorrect Examples (DC level changes more than on adjusted waveform)



6. Connect oscilloscope to main board TP TEO.
7. Adjust RV304 so that the waveform is as shown in the figure below. (tracking gain adjustment)



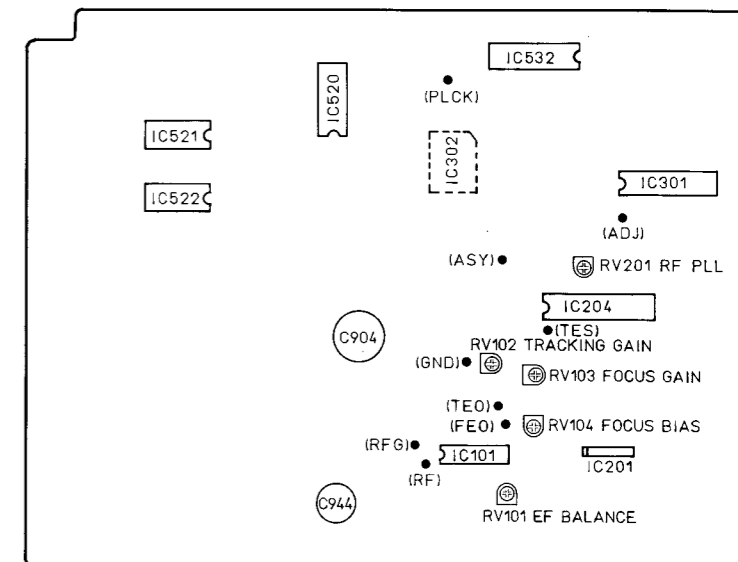
• Incorrect Examples (fundamental wave appears)



Adjustment Location: main board

Adjustment Location: main board

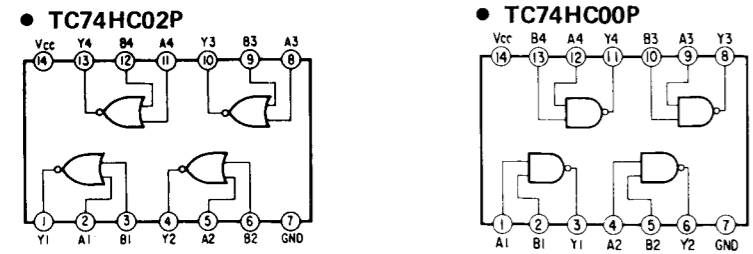
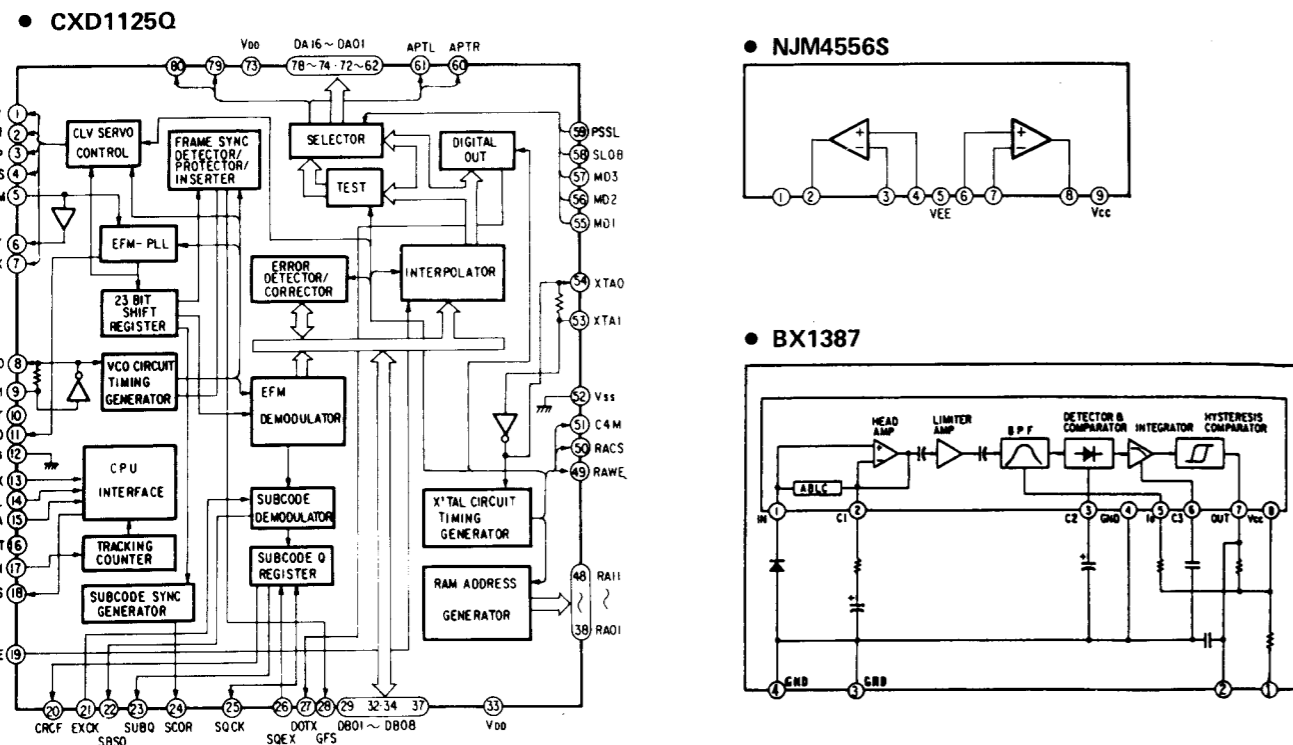
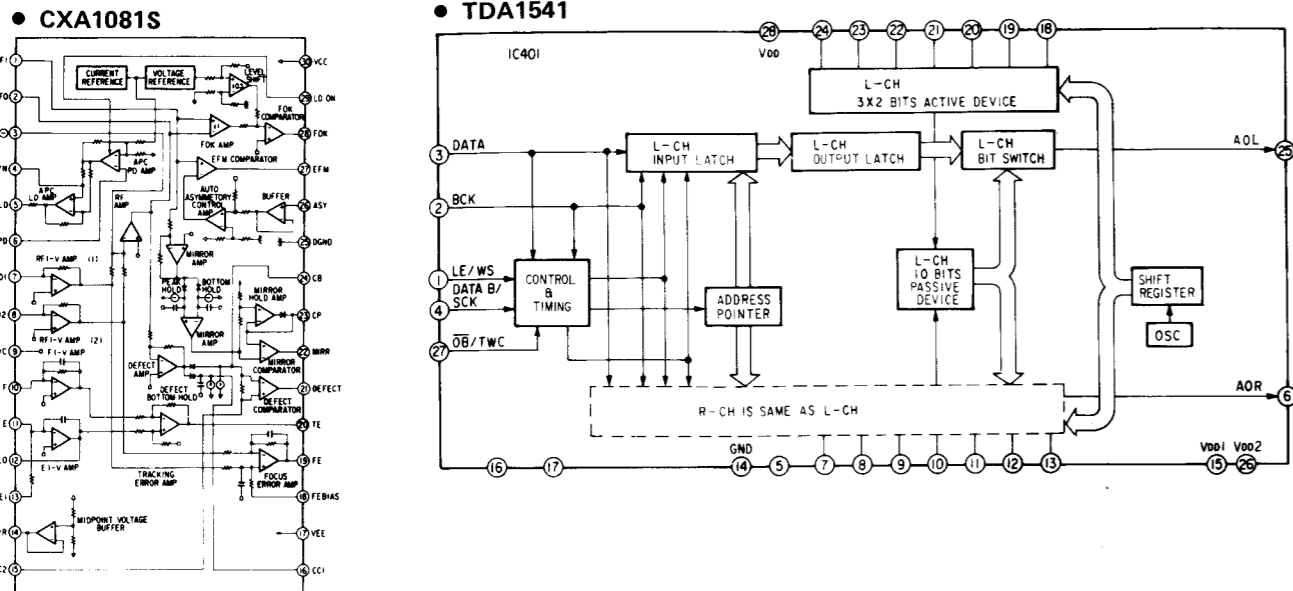
**[MAIN BOARD] —mounted side—**



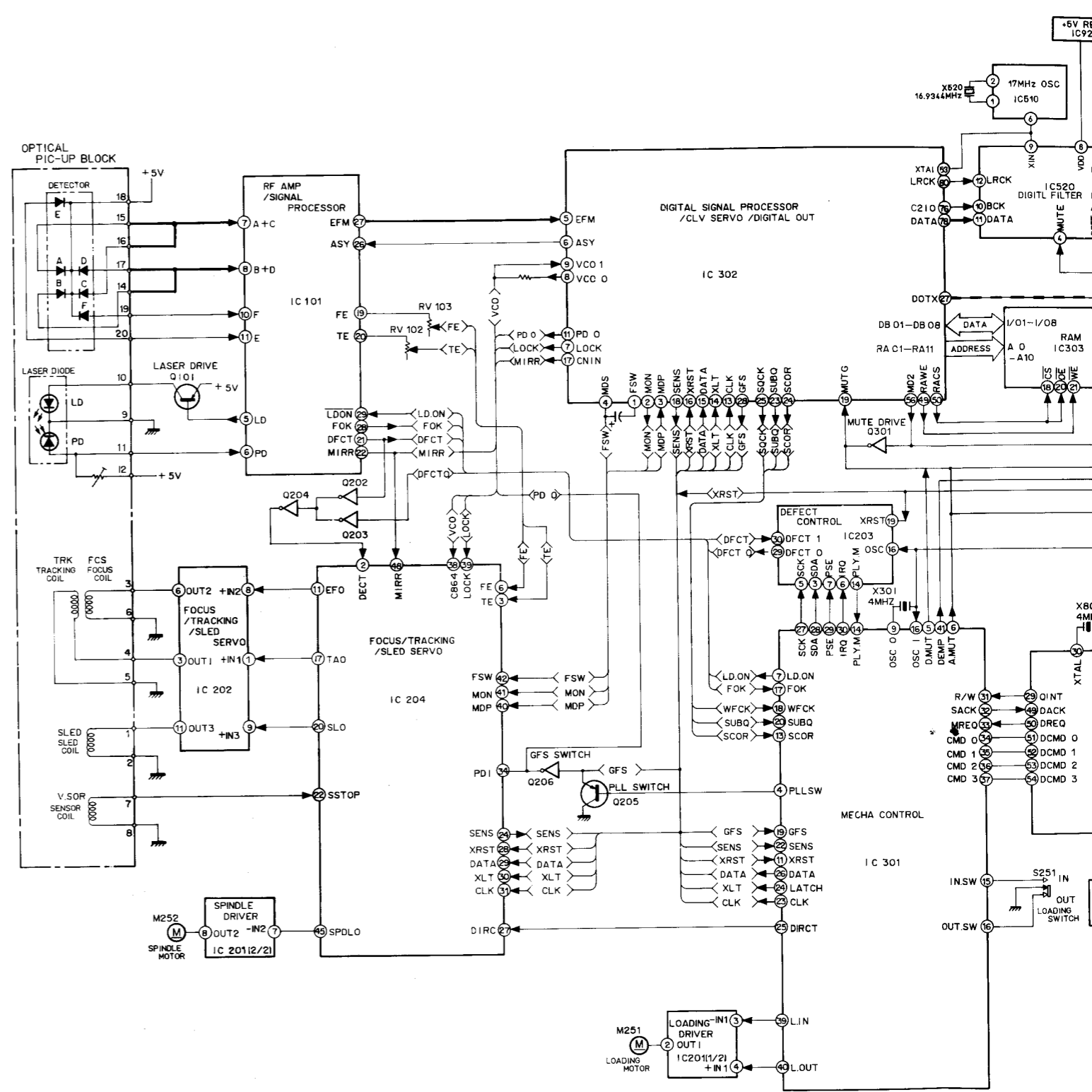


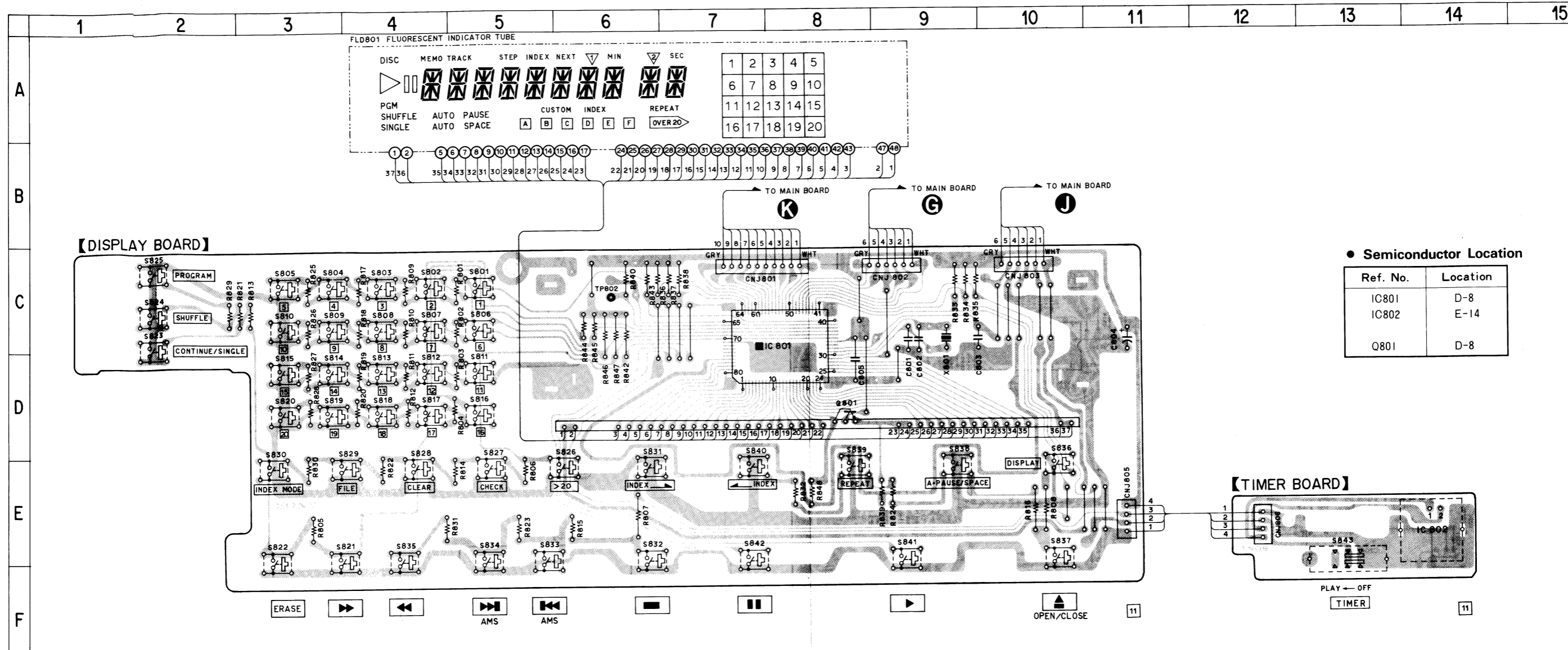
SECTION 3  
DIAGRAMS

3-1. IC BLOCK DIAGRAMS



3-2. BLOCK DIAGRAM

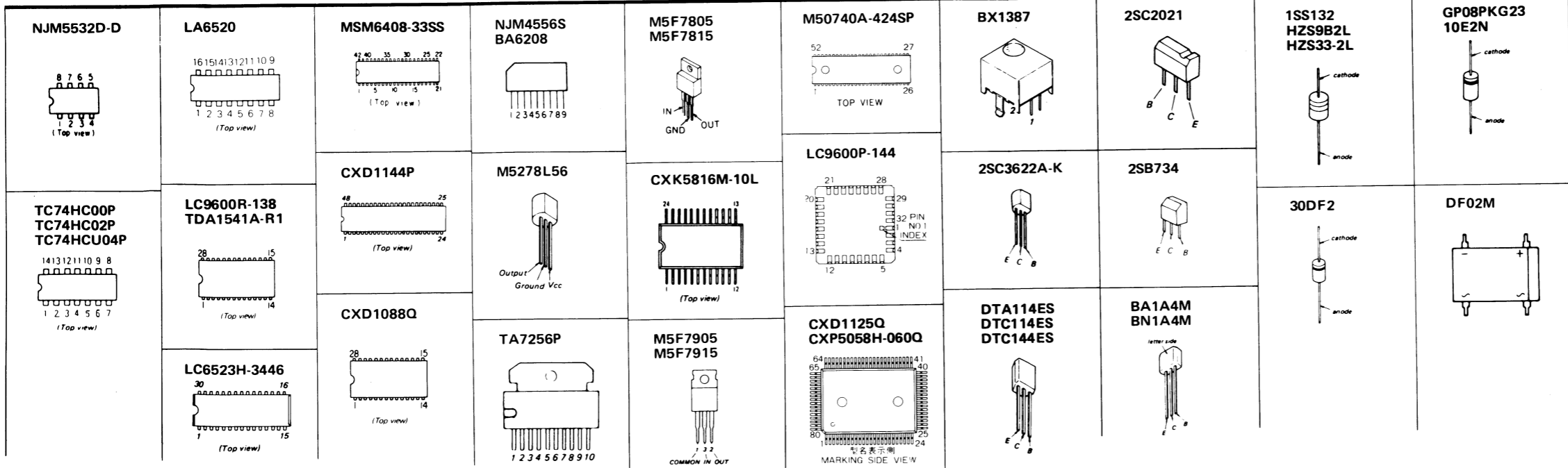




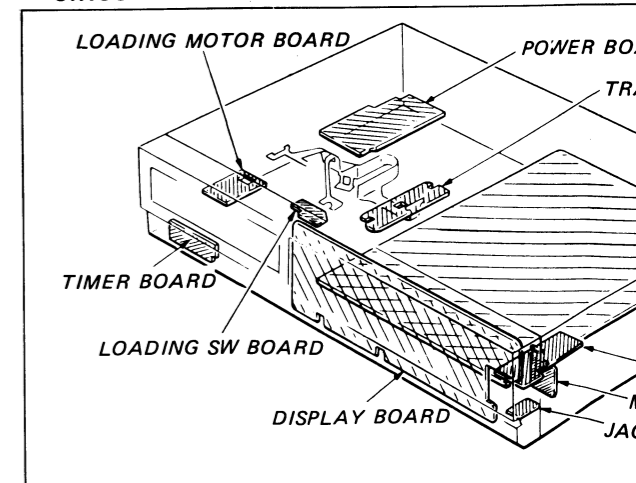
● Semiconductor Location

Ref. No.	Location
IC801	D-8
IC802	E-14
Q801	D-8

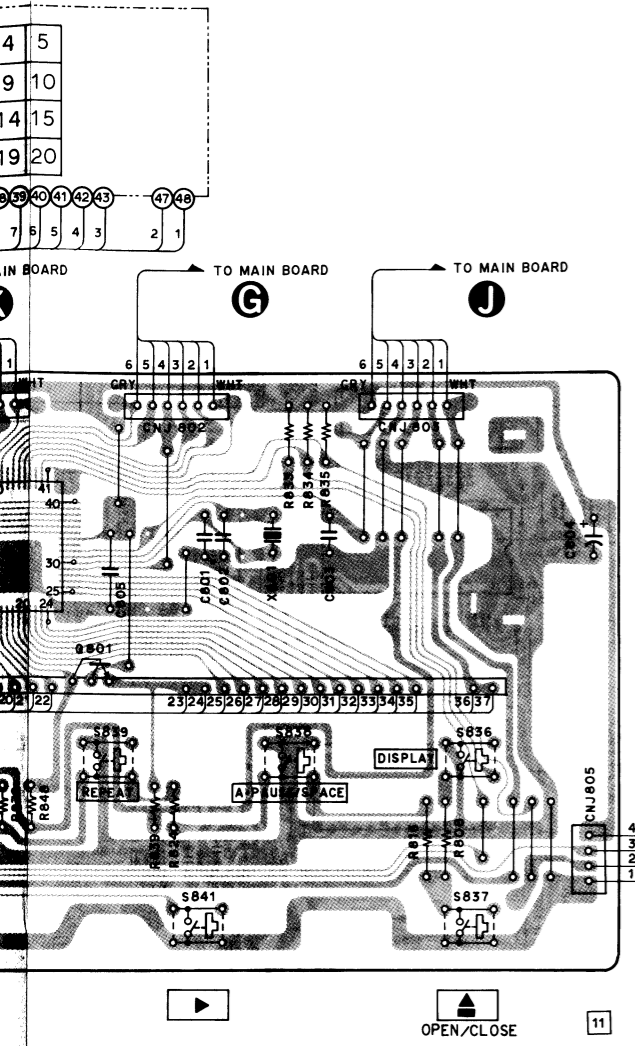
3-4. SEMICONDUCTOR LEAD LAYOUTS



● CIRCUIT BOARDS LOCATION

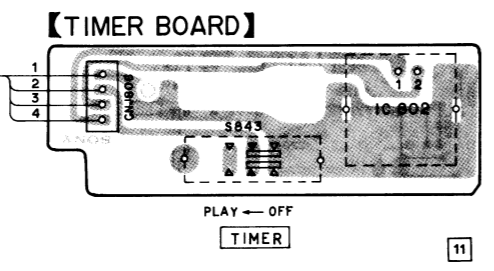


8 9 10 11 12 13 14 15

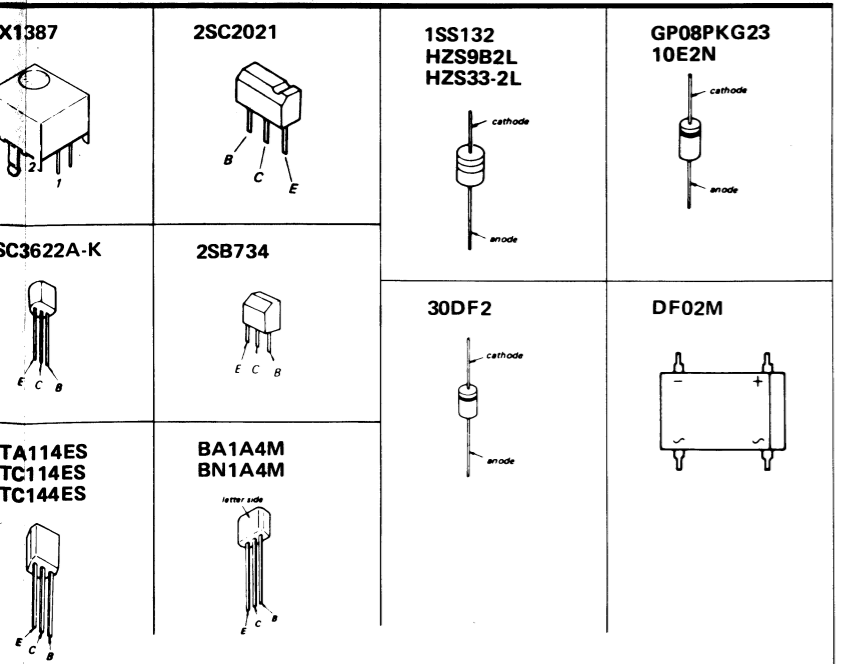
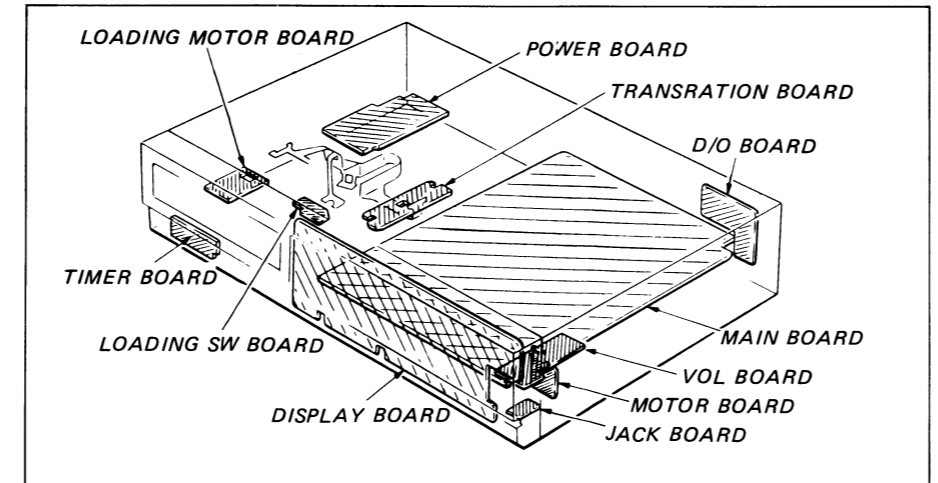


● Semiconductor Location

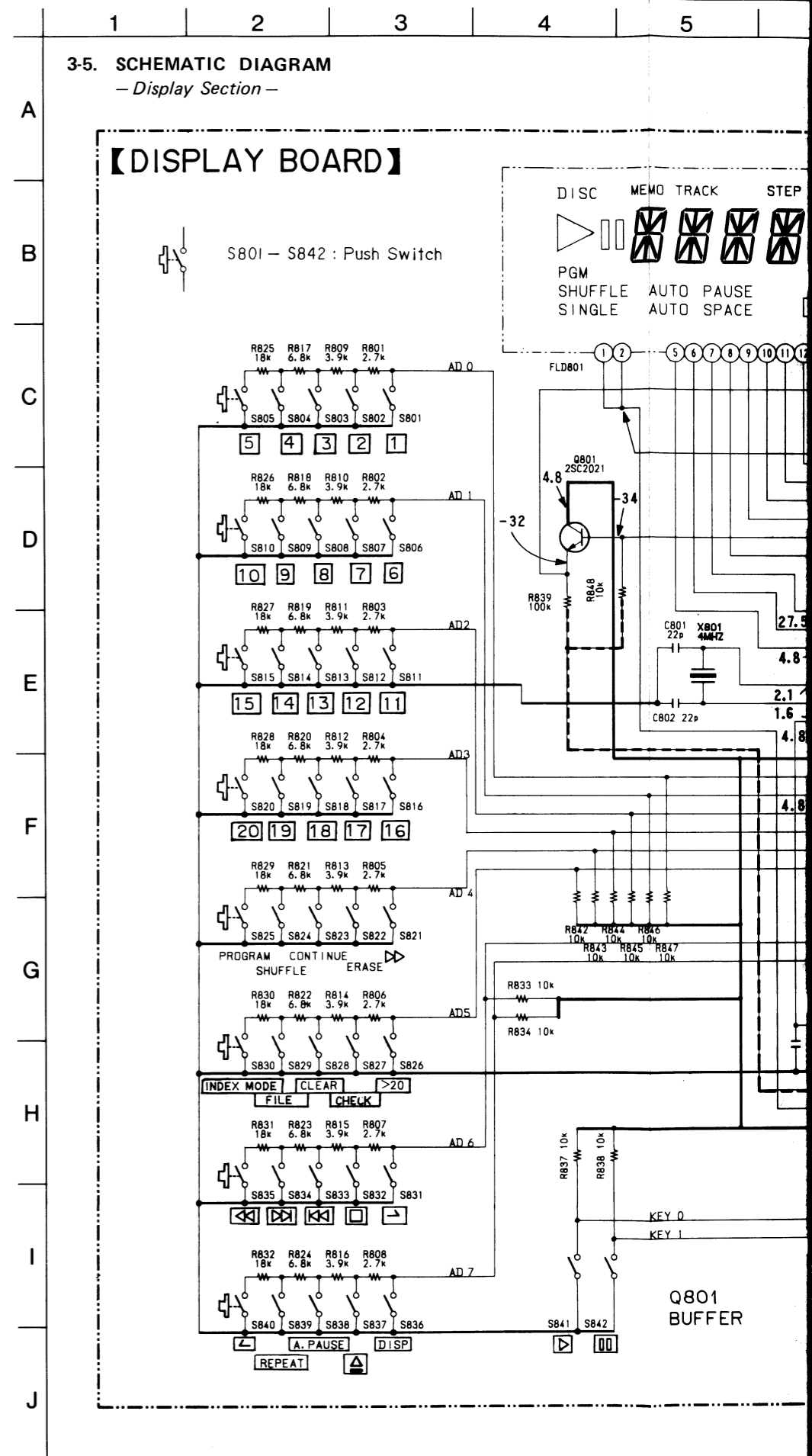
Ref. No.	Location
IC801	D-8
IC802	E-14
Q801	D-8



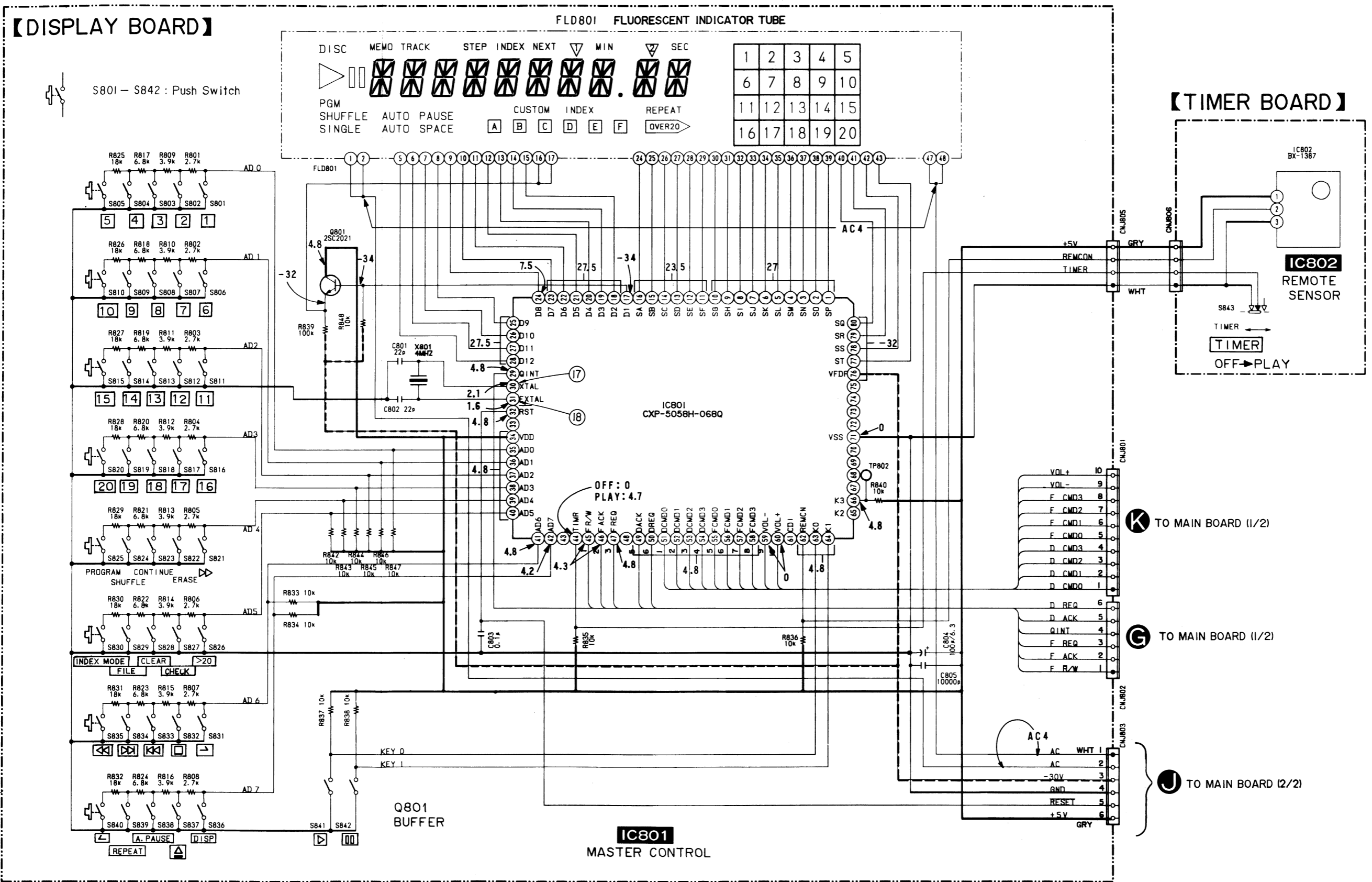
● CIRCUIT BOARDS LOCATION



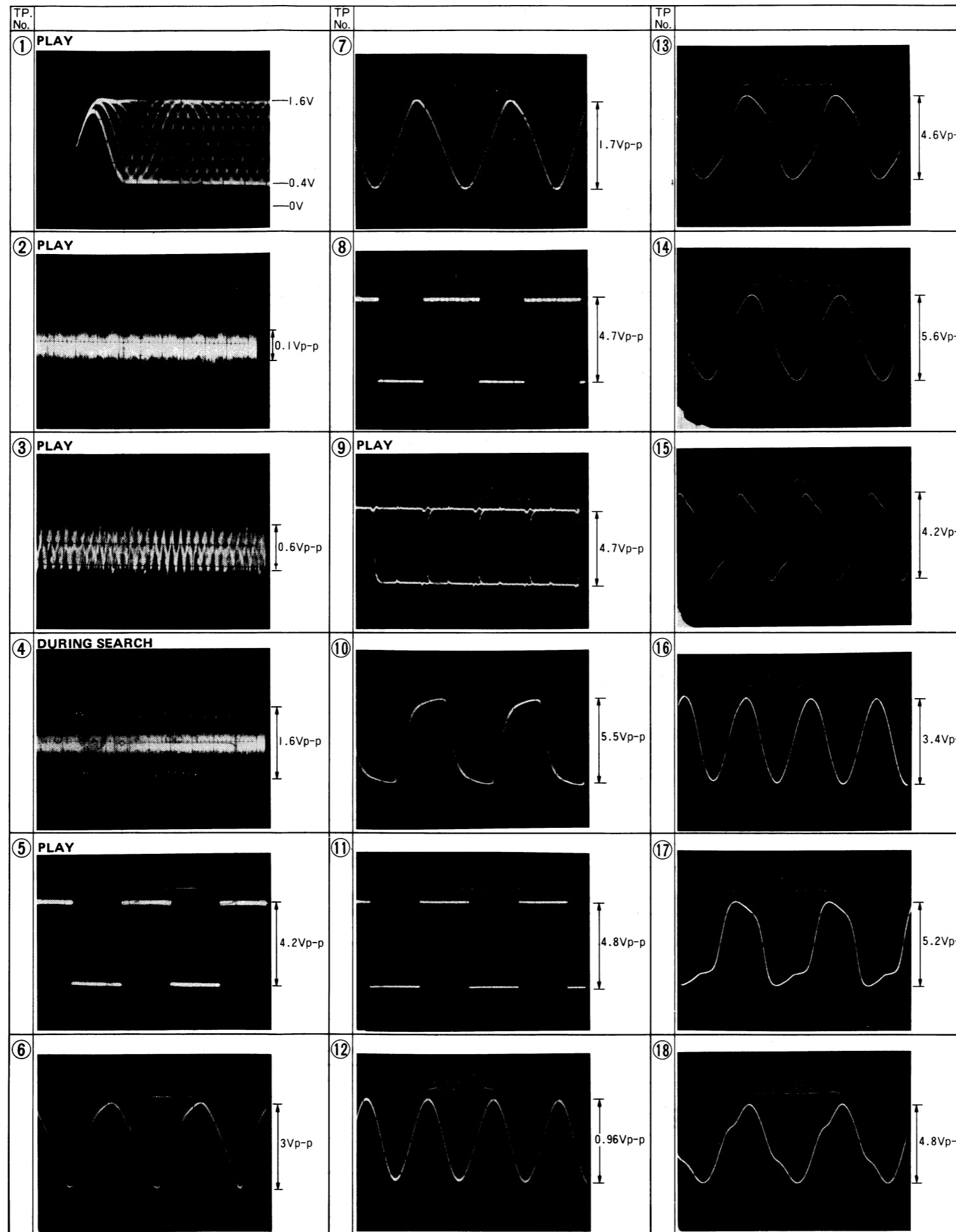
3-5. SCHEMATIC DIAGRAM  
- Display Section -



3-5. SCHEMATIC DIAGRAM  
- Display Section -



3-6. WAVEFORMS



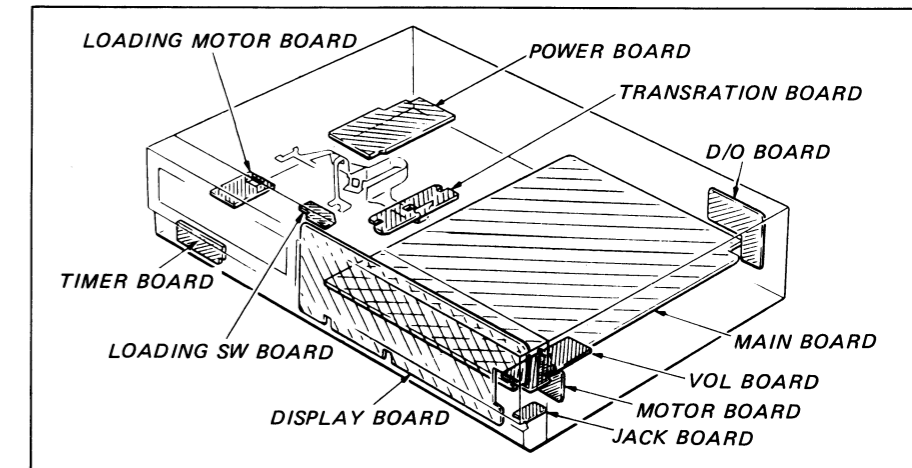
3-7. PRINTED WIRING BOARDS

- Main Section -

• Semiconductor Location

Ref. No.	Location	Ref. No.	Location
D101	I-10	IC391	D-2
D201	H-6	IC400	D-14
D500	D-15	IC450	D-2
D900	I-14	IC500	E-14
D901	I-14	IC510	D-11
D902	I-14	IC520	C-11
D903	G-13	IC521	C-13
D904	G-12	IC522	E-13
D920	H-15	IC900	H-13
D921	H-16	IC904	F-13
D922	H-15	IC910	I-13
D923	H-15	IC920	G-15
D940	I-12	IC921	F-11
D941	I-13	IC922	C-12
D942	I-13	IC930	G-15
D943	J-12	IC931	E-12
D944	I-11	-	-
D945	I-12	Q101	I-9
-	-	Q202	H-6
IC101	H-10	Q203	H-6
IC201	I-7	Q204	H-6
IC202	H-8	Q205	F-7
IC203	G-6	Q206	F-7
IC204	F-8	Q301	D-8
IC301	D-7	Q400	C-14
IC302	D-10	Q500	G-14
IC303	E-10	Q520	F-11
IC351	C-7	Q521	G-14
IC352	C-9	Q522	F-11
IC380	B-13	Q940	I-12

• CIRCUIT BOARDS LOCATION



Note:

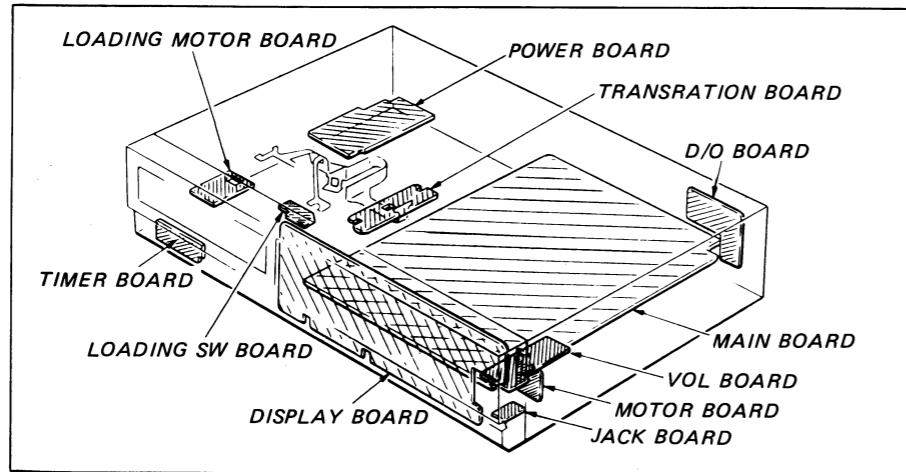
- ○ : parts extracted from the component side.
- ● : parts extracted from the conductor side.
- : parts mounted on the conductor side.
- ○ : Jumper wire connected to the ground pattern on the component side.
- /// : Pattern on the side which is seen.

3-7. PRINTED WIRING BOARDS  
— Main Section —

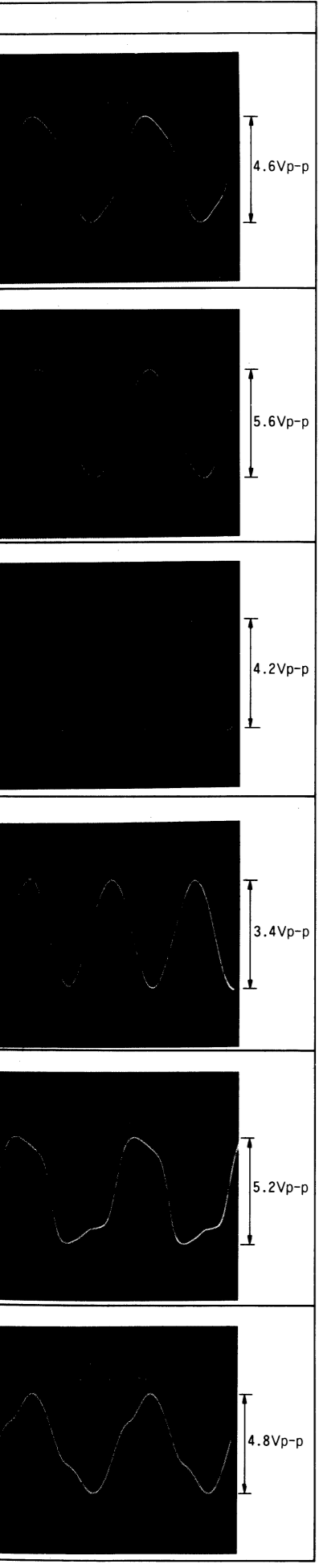
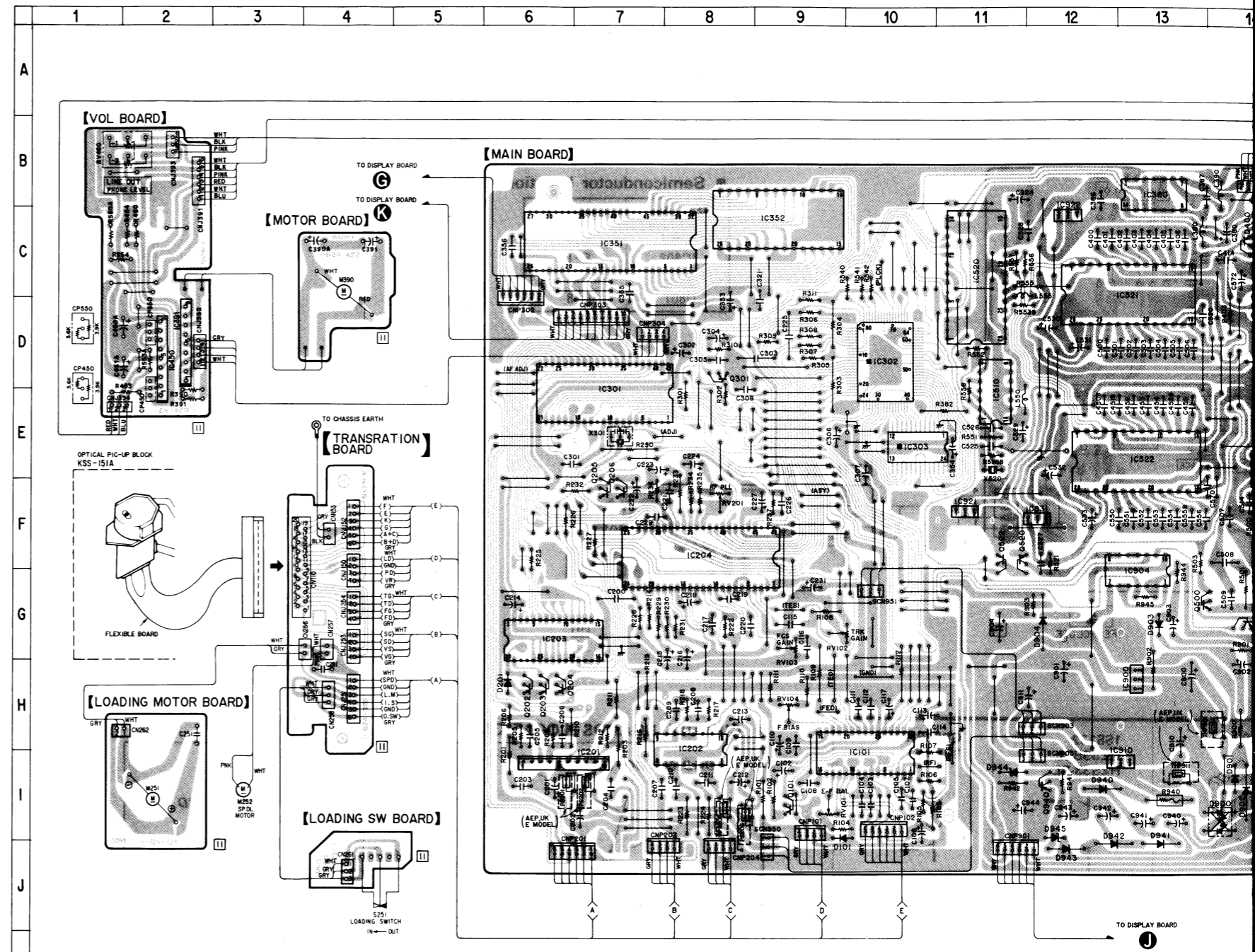
● Semiconductor Location

Ref. No.	Location	Ref. No.	Location
D101	I-10	IC391	D-2
D201	H-6	IC400	D-14
D500	D-15	IC450	D-2
D900	I-14	IC500	E-14
D901	I-14	IC510	D-11
D902	I-14	IC520	C-11
D903	G-13	IC521	C-13
D904	G-12	IC522	E-13
D920	H-15	IC900	H-13
D921	H-16	IC904	F-13
D922	H-15	IC910	I-13
D923	H-15	IC920	G-15
D940	I-12	IC921	F-11
D941	I-13	IC922	C-12
D942	I-13	IC930	G-15
D943	J-12	IC931	E-12
D944	I-11	—	—
D945	I-12	Q101	I-9
—	—	Q202	H-6
IC101	H-10	Q203	H-6
IC201	I-7	Q204	H-6
IC202	H-8	Q205	F-7
IC203	G-6	Q206	F-7
IC204	F-8	Q301	D-8
IC301	D-7	Q400	C-14
IC302	D-10	Q500	G-14
IC303	E-10	Q520	F-11
IC351	C-7	Q521	G-14
IC352	C-9	Q522	F-11
IC380	B-13	Q940	I-12

● CIRCUIT BOARDS LOCATION



- Note:**
- : parts extracted from the component side.
  - : parts extracted from the conductor side.
  - : parts mounted on the conductor side.
  - : Jumper wire connected to the ground pattern on the component side.
  - ▨ : Pattern on the side which is seen.

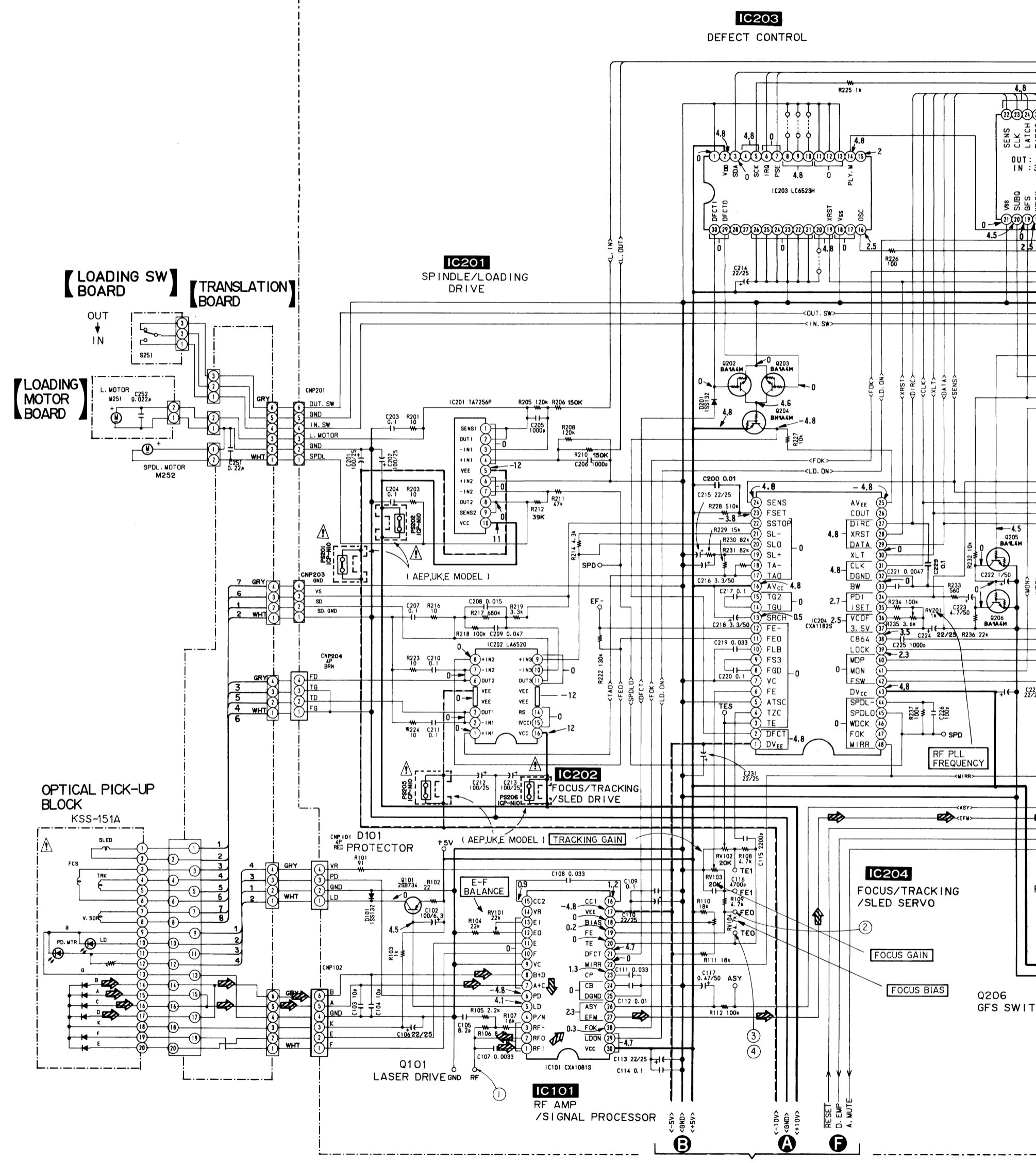




3-8. SCHEMATIC DIAGRAM • See page 28 for note.  
- Main Section (1/2) -

- Signal path
- ▨ : CD
- ▨▨ : digital out

**[MAIN BOARD (1/2)]**

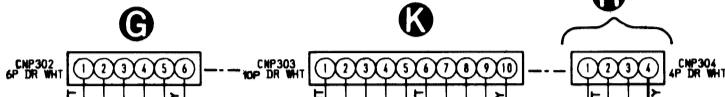


TO MAIN BOARD (2/2)

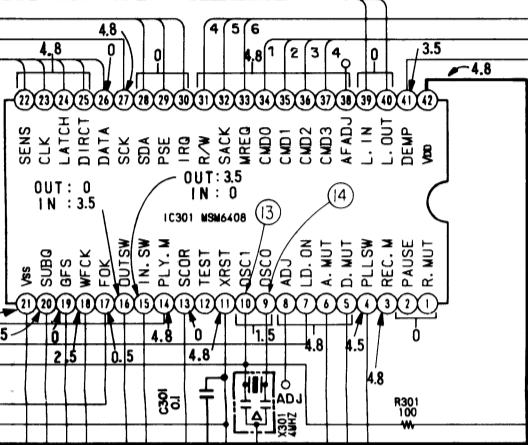


TO DISPLAY BOARD

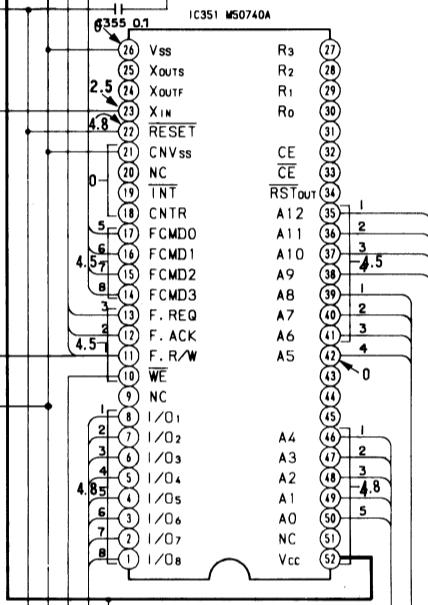
TO MAIN BOARD (2/2)



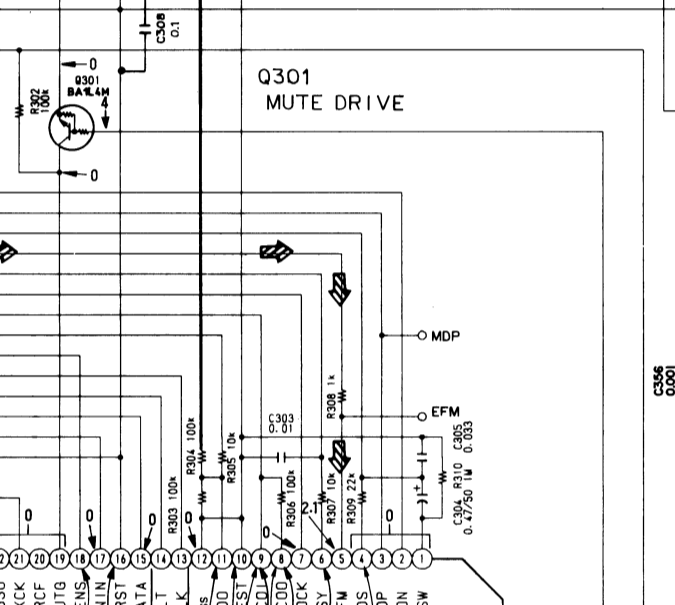
**IC301**  
MECHA CONTROL



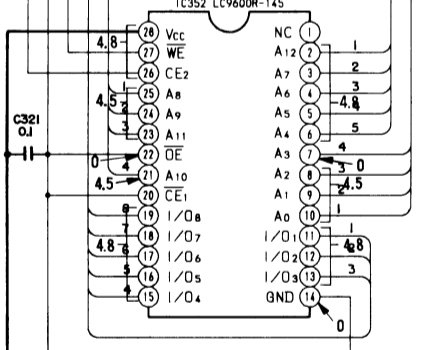
**IC351**  
FILE DATA CONTROL



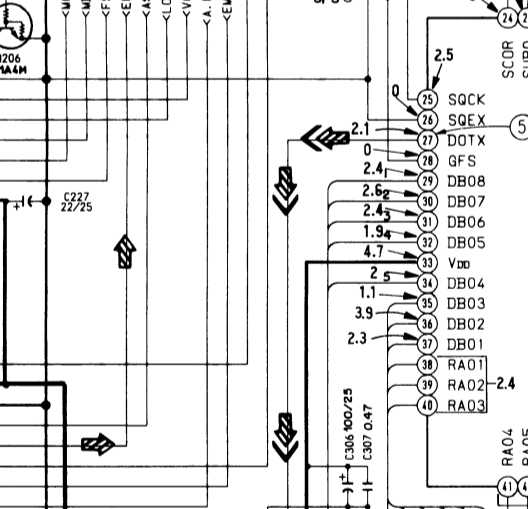
**Q301**  
MUTE DRIVE



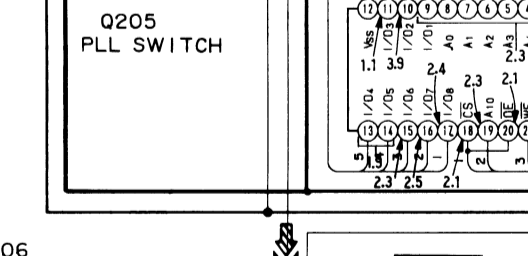
**IC352**  
FILE MEMO



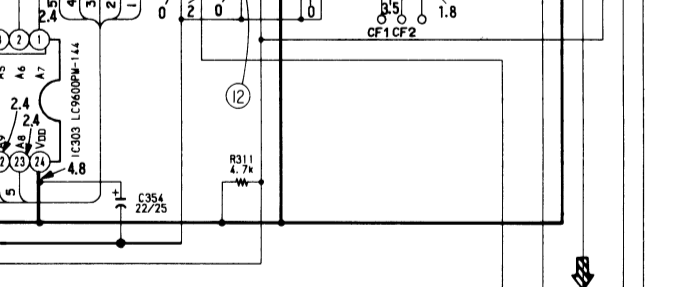
**Q205**  
PLL SWITCH



**IC303**  
RAM

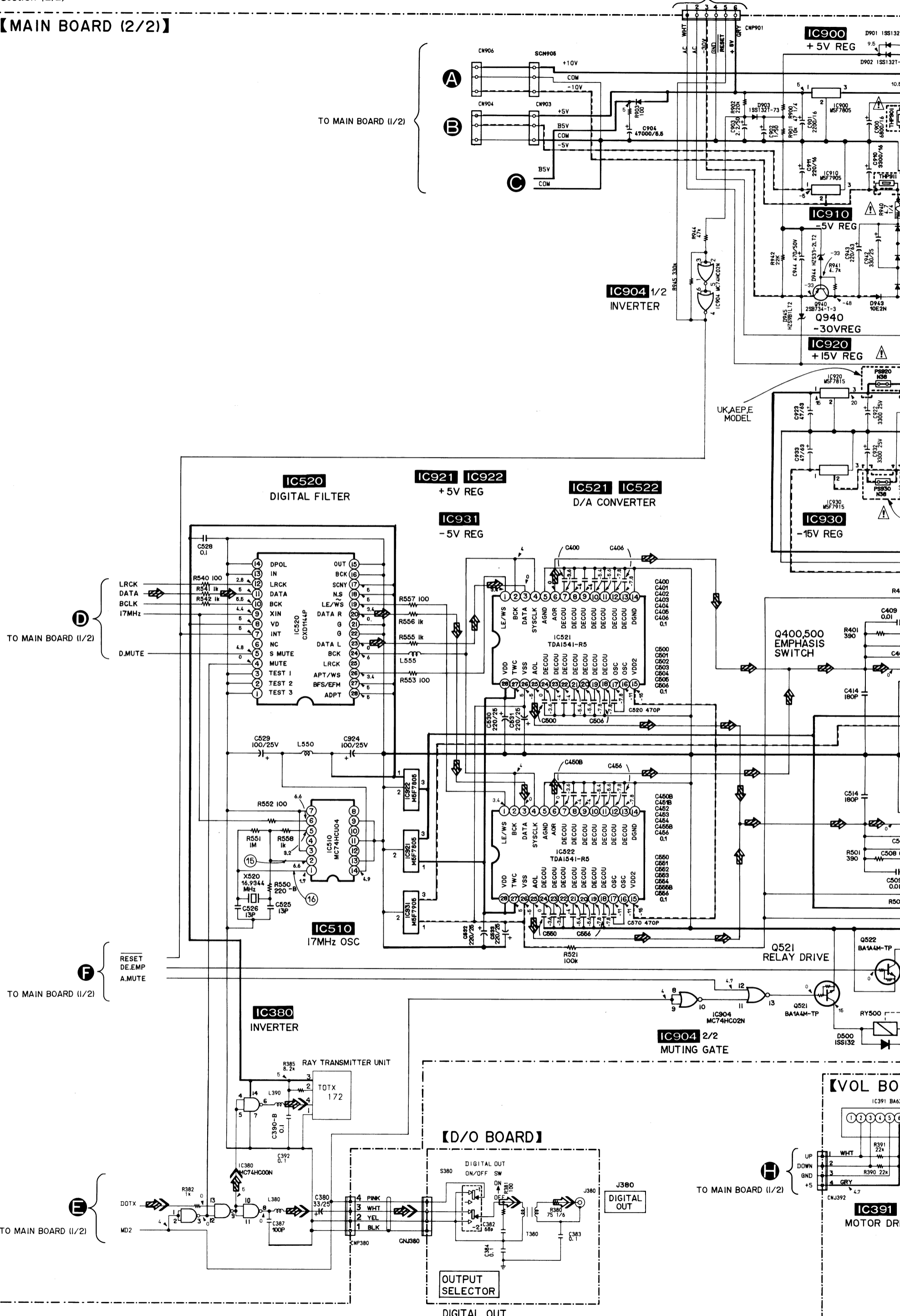


**IC302**  
DIGITAL SIGNAL PROCESSOR /CLV SERVO/DIGITAL OUT

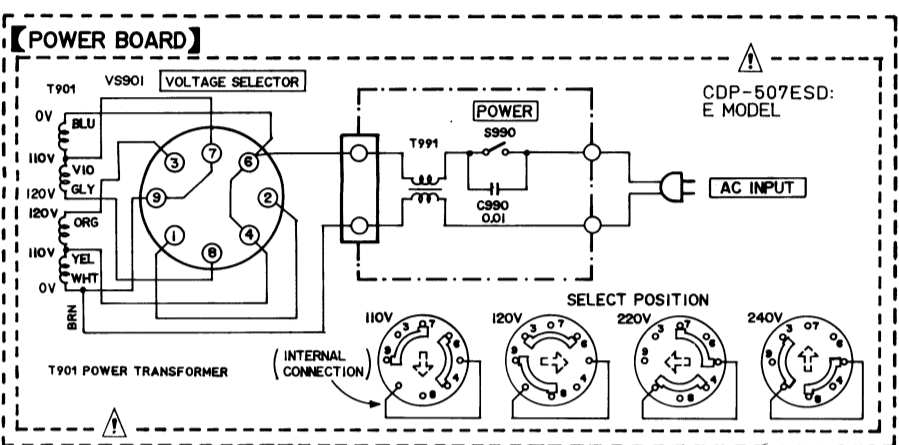
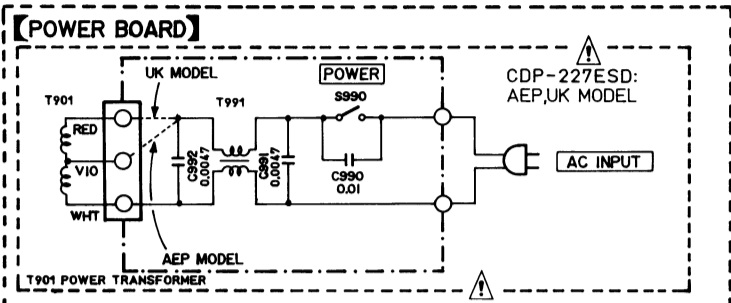
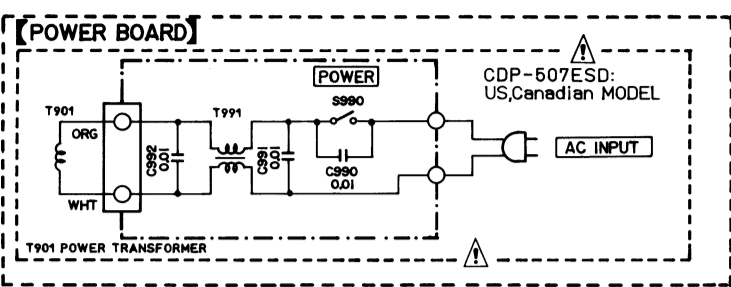
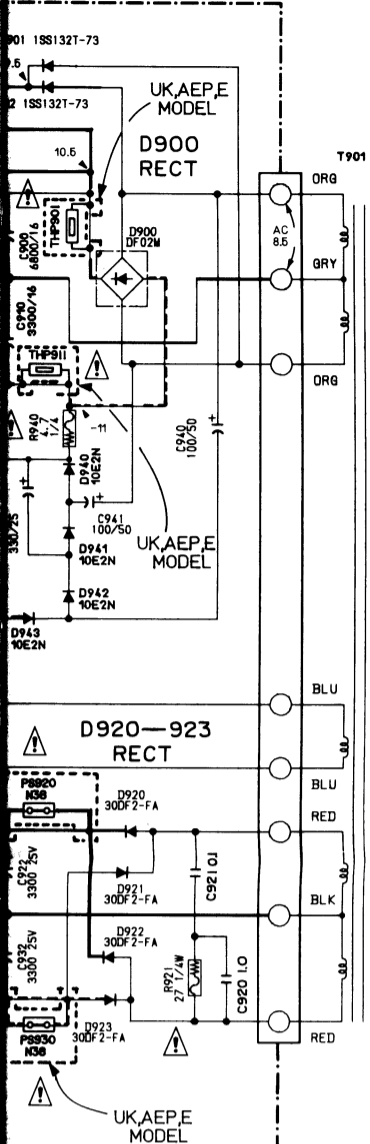


3-9. SCHEMATIC DIAGRAM  
 - Main Section (2/2) -

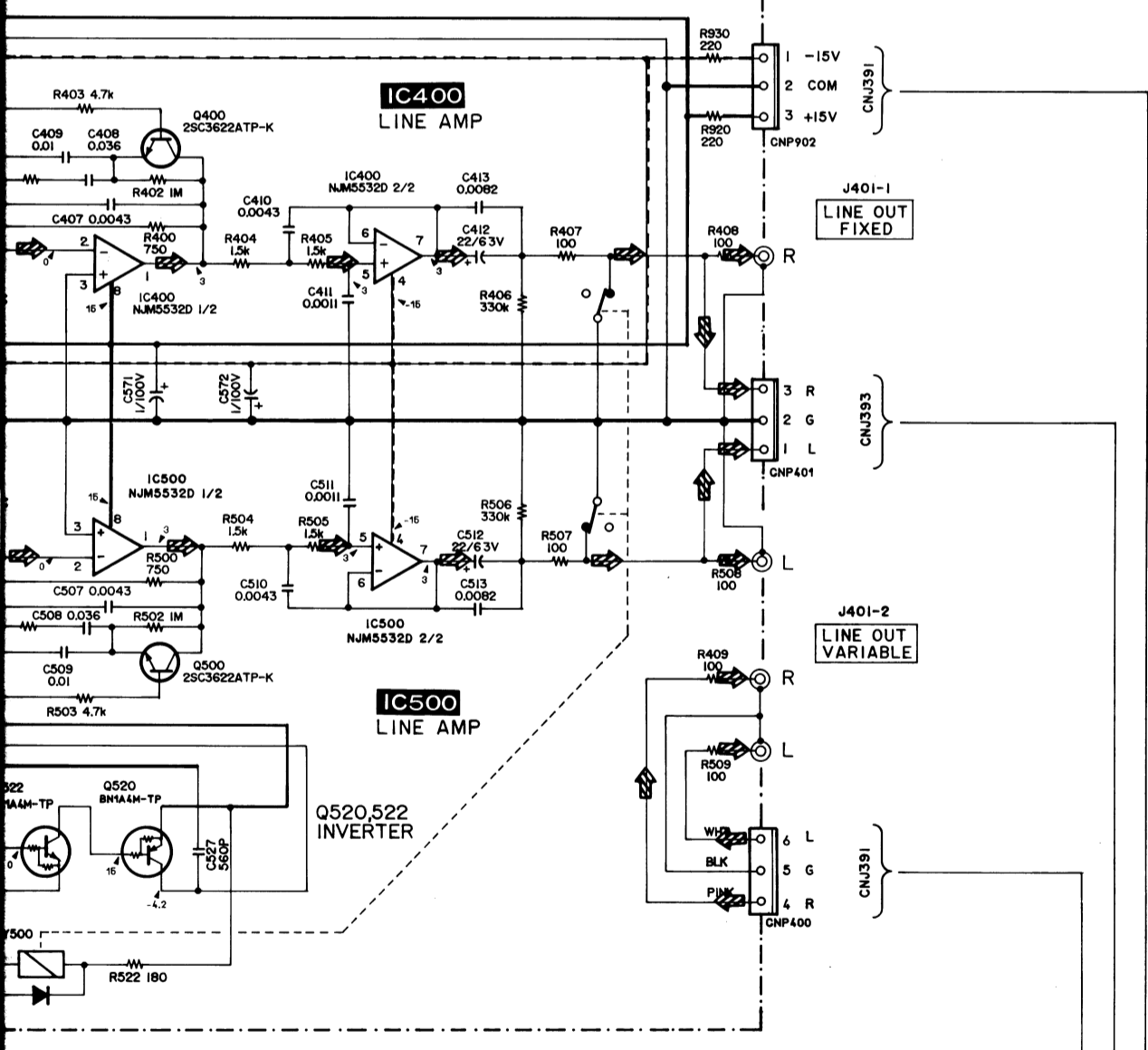
**【MAIN BOARD (2/2)】**



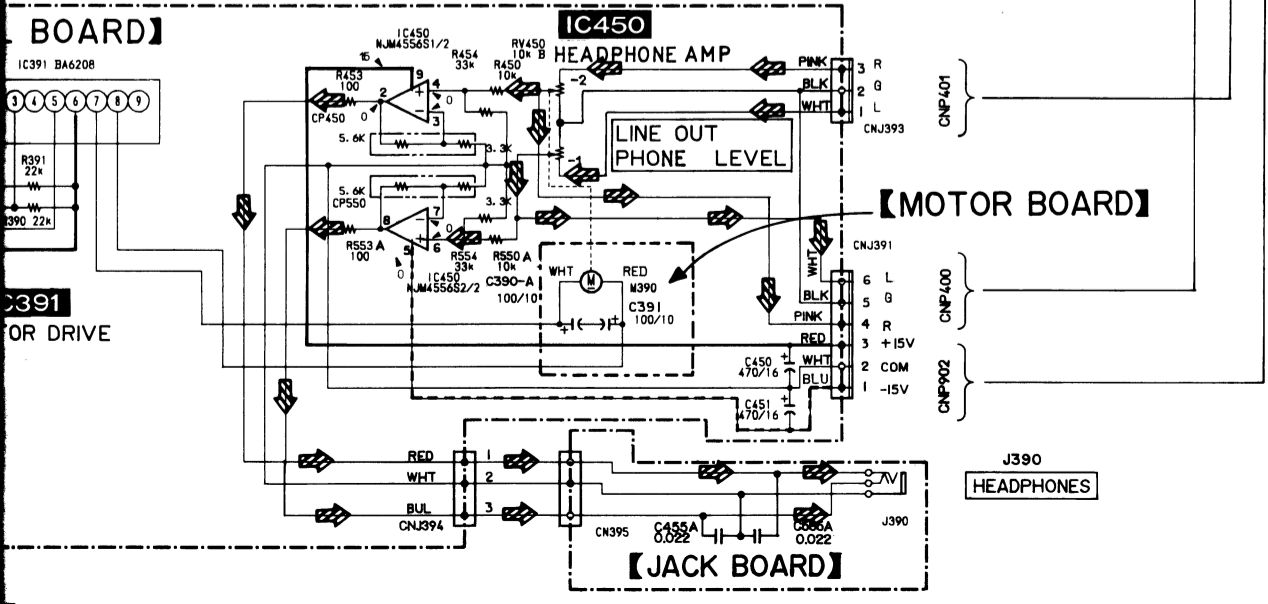
A  
B  
C  
D  
E  
F  
G  
H  
I  
J  
K  
L  
M  
N  
O  
P



- Note:**
- All capacitors are in  $\mu\text{F}$  unless otherwise noted. pF:  $\mu\text{pF}$  50WV or less are not indicated except for electrolytics and tantalums.
  - All resistors are in  $\Omega$  and  $\frac{1}{4}\text{W}$  or less unless otherwise specified.
  - $\Delta$ : internal component.
  - $\text{---}$ : fusible resistor.
  - $\text{---}$ : B+ lin.
  - $\text{---}$ : B- lin.
  - $\text{---}$ : adjustment for repair.
  - Voltage and waveforms are dc with respect to ground under no-signal conditions.
  - no mark: STOP
  - Voltages are taken with a VOM (50k $\Omega$ /V). Voltage variations may be noted due to normal production tolerances.
  - Waveforms are taken to grow by using oscilloscope.
  - Voltage variations may be noted due to normal production tolerances.
  - Circled numbers refer to waveforms. (See page 18.)
  - Signal path.
  - $\text{---}$ : CD
  - $\text{---}$ : digital out
  - Switches:



Ref. No.	Switch	Position
S251	LOADING SWITCH	OUT
S380	OUTPUT SELECTOR	DIGITAL
S801	1	OFF
S802	2	OFF
S803	3	OFF
S804	4	OFF
S805	5	OFF
S806	6	OFF
S807	7	OFF
S808	8	OFF
S809	9	OFF
S810	10	OFF
S811	11	OFF
S812	12	OFF
S813	13	OFF
S814	14	OFF
S815	15	OFF
S816	16	OFF
S817	17	OFF
S818	18	OFF
S819	19	OFF
S820	20	OFF
S821	▶	OFF
S822	ERASE	OFF
S823	CONTINUE/SINGLE	OFF
S824	SHUFFLE	OFF
S825	PROGRAM	OFF
S826	>20	OFF
S827	CHECK	OFF
S828	CLEAR	OFF
S829	FILE	OFF
S830	INDEX MODE	OFF
S831	INDEX →	OFF
S832	■	OFF
S833	AMS ◀	OFF
S834	AMS ▶	OFF
S835	◀	OFF
S836	DISPLAY	OFF
S837		OFF
S838	A-PAUSE	OFF
S839	REPEAT	OFF
S840	INDEX ←	OFF
S841	▶	OFF
S842		OFF
S843	TIMER	OFF
S990	POWER	OFF
VS901 (E model)	VOLTAGE SELECTOR	-




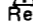
**Note:** The components identified by mark  $\Delta$  or dotted line with mark  $\Delta$  are critical for safety. Replace only with part number specified.


**SECTION 4  
EXPLODED VIEWS**

**NOTE:**

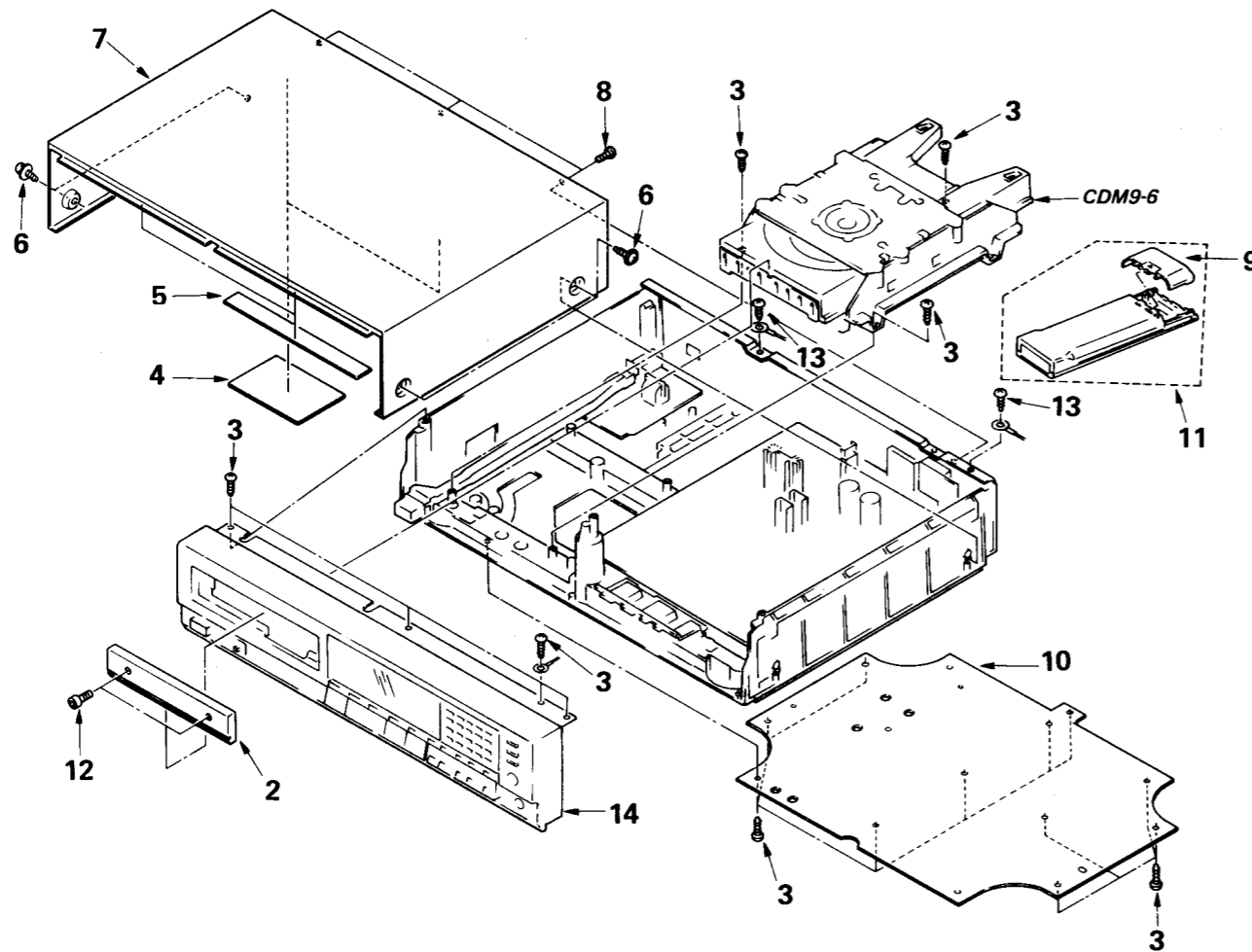
- The mechanical parts with no reference number in the exploded views are not supplied.
- The construction parts of an assembled part are indicated with a collation number in the remark column.
- Items marked "\*" are not stocked since they are seldom required for routine service. Some delay should be anticipated when ordering these items.

- Due to standardization, parts with part number suffix -XX and -X may be different from the parts specified in the components used on the set.
- Color Indication of Appearance Parts  
Example:  
(RED) ... KNOB, BALANCE (WHITE)  
↑ Cabinet's Color      ↑ Parts' Color

The components identified by mark  or dotted line with mark  are critical for safety. Replace only with part number specified.

Les composants identifiés par une marque  sont critiques pour la sécurité. Ne les remplacer que par une pièce portant le numéro spécifié.

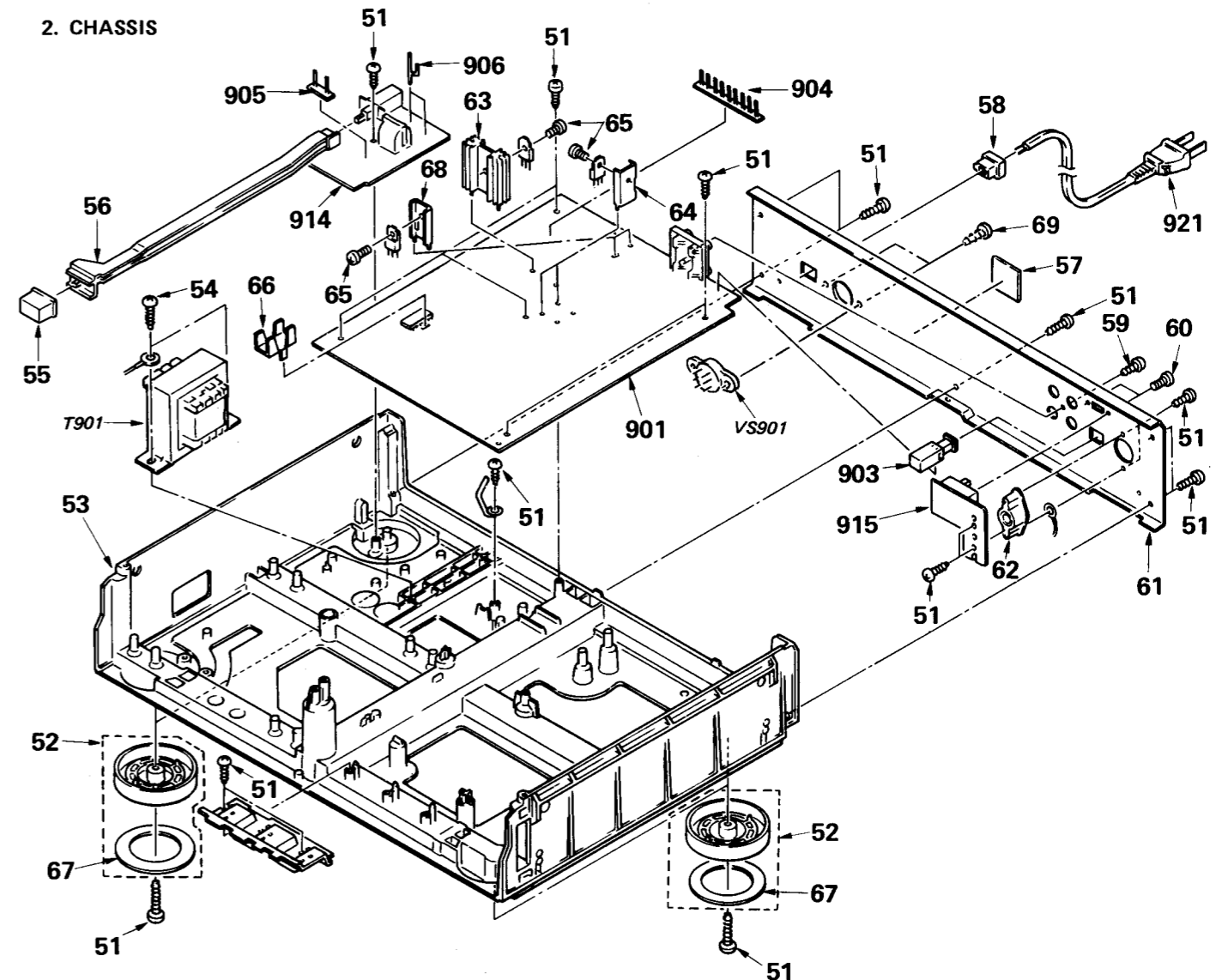
**1. GENERAL**

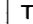
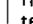



Ref.No	Part No.	Description
2	A-4675-247-A (AEP, UK, E)...	PANEL ASSY, LOADING
2	A-4675-248-A (US, Canadian)...	PANEL ASSY, LOADING
3	7-685-647-79	SCREW, TAPPING
4	*4-917-634-01	DAMPER (C)
5	*4-922-422-01	CUSHION (C)
6	7-685-646-79	SCREW, TAPPING
7	4-922-594-01	CASE

Ref.No	Part No.	Description
8	4-886-821-01	SCREW, M3 CASE
9	4-922-528-01	LID, BATTERY CASE, COMMANDER
10	*4-922-927-51	PLATE, BOTTOM
11	1-463-909-11	COMMANDER, REMOTE (RM-D650)
12	4-923-533-01	BOLT (M2.6X3), HEXAGON SOCKET
13	7-685-871-01	SCREW +BVTT 3X6 (S)
14	X-4922-521-2	PANEL ASSY, FRONT

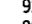
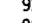
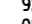
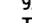
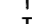
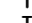
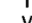

**2. CHASSIS**



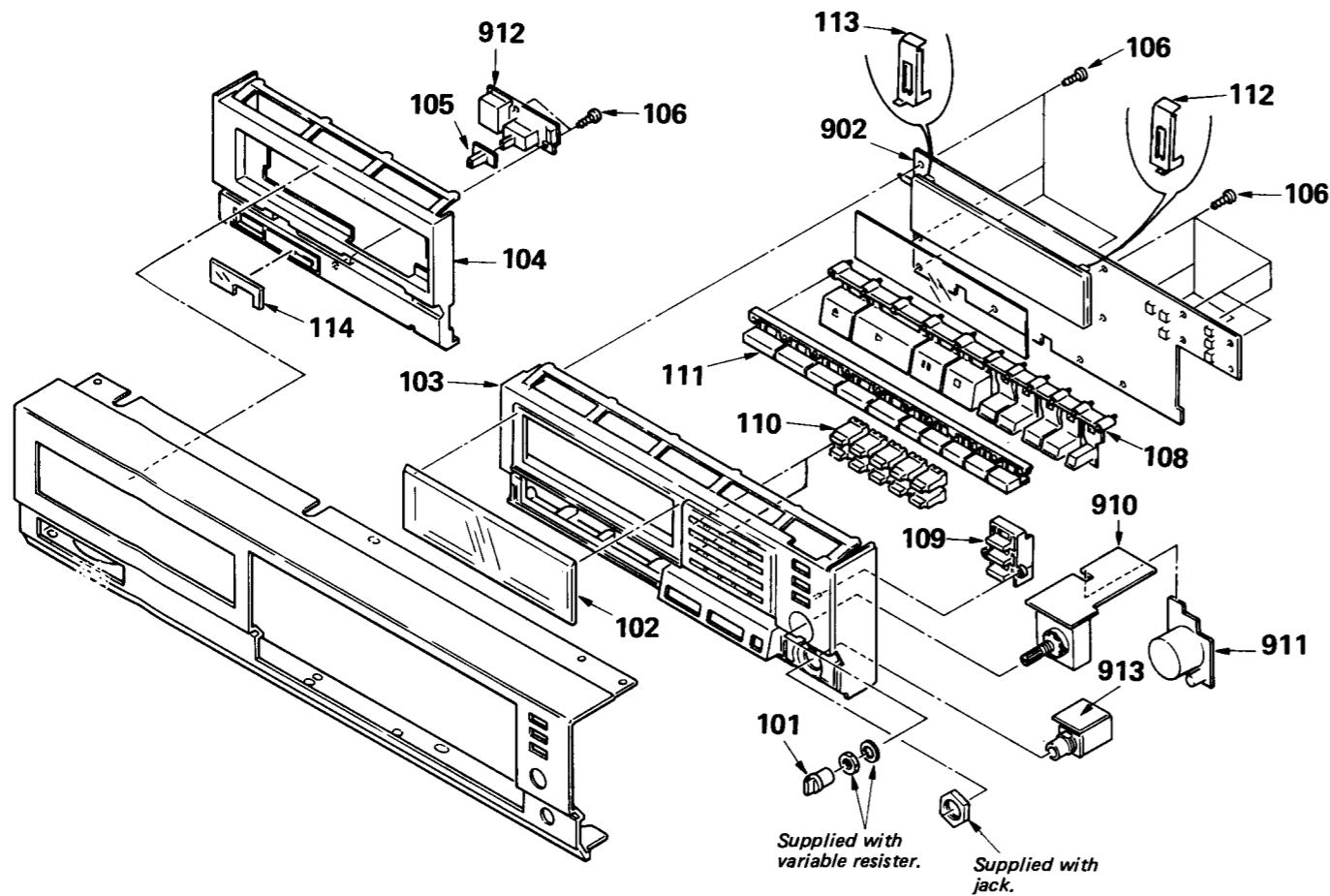
**Note:**  
The components identified by mark  or dotted line with mark  are critical for safety. Replace only with part number specified.

**Note:**  
Les composants identifiés par une marque  sont critiques pour la sécurité. Ne les remplacer que par une pièce portant le numéro spécifié.

Ref.No	Part No.	Description
51	7-685-647-79	SCREW +BVTP 3X10 TYPE2 N-S
52	X-4922-508-1	FOOT ASSY
53	*4-922-928-01	CHASSIS
54	7-685-661-79	SCREW +BVTP 4X12 TYPE2 N-S
55	4-923-520-01	KNOB, POWER
56	*4-922-530-01	LEVER, POWER SWITCH
57	*4-885-838-01	(AEP, UK, E) ... LABEL, CLASS1
58	*3-703-244-00	BUSHING (2104), CORD
59	4-909-982-01	SCREW, TAPPING
60	7-621-775-10	SCREW +B 2.6X4
61	*4-922-505-12 (US) ...	PANEL, BACK
61	*4-922-505-22 (Canadian) ...	PANEL, BACK
61	*4-922-505-32 (UK) ...	PANEL, BACK
61	*4-922-505-42 (AEP) ...	PANEL, BACK
61	*4-922-505-51 (E) ...	PANEL, BACK
62	*4-913-152-01	ESCUTCHEON, D/O
63	*4-908-502-01	HEAT SINK
64	*3-309-144-01	HEAT SINK
65	7-682-147-15	SCREW, TR
66	*4-922-525-01	HEAT SINK

Ref.No	Part No.	Description
67	4-922-915-01	FOOT (FELT)
68	*4-886-555-00	HEAT SINK
69	7-682-547-09 (E) ...	SCREW +BVTT 3X6 (S)
901	*A-4651-177-A (E,UK) ...	MOUNTED PCB, MAIN
901	*A-4651-198-A (Canadian, US, AEP) ...	MOUNTED PCB, MAIN
903	1-464-878-11	TRANSMITTER UNIT, RAY
904	*1-535-122-00	TERMINAL
905	*1-535-139-00	BASE POST 19MM (10MM PITCH) 2P
906	*1-535-688-11	TERMINAL
914	*1-626-469-11	PC BOARD, POWER
915	*1-626-470-11	PC BOARD, D/O
921	 .1-555-795-00 (AEP) ...	CORD, POWER
921	 .1-556-035-00 (UK) ...	CORD, POWER
921	 .1-557-577-11 (US, Canadian) ...	CORD, POWER
921	 .1-558-181-11 (E) ...	CORD, POWER
T901	 .1-449-285-11 (US, Canadian) ...	TRANSFORMER, POWER
T901	 .1-449-286-11 (AEP, UK) ...	TRANSFORMER, POWER
T901	 .1-449-287-11 (E) ...	TRANSFORMER, POWER
VS901	 .1-526-576-51 (E) ...	SELECTOR, POWER VOLTAGE

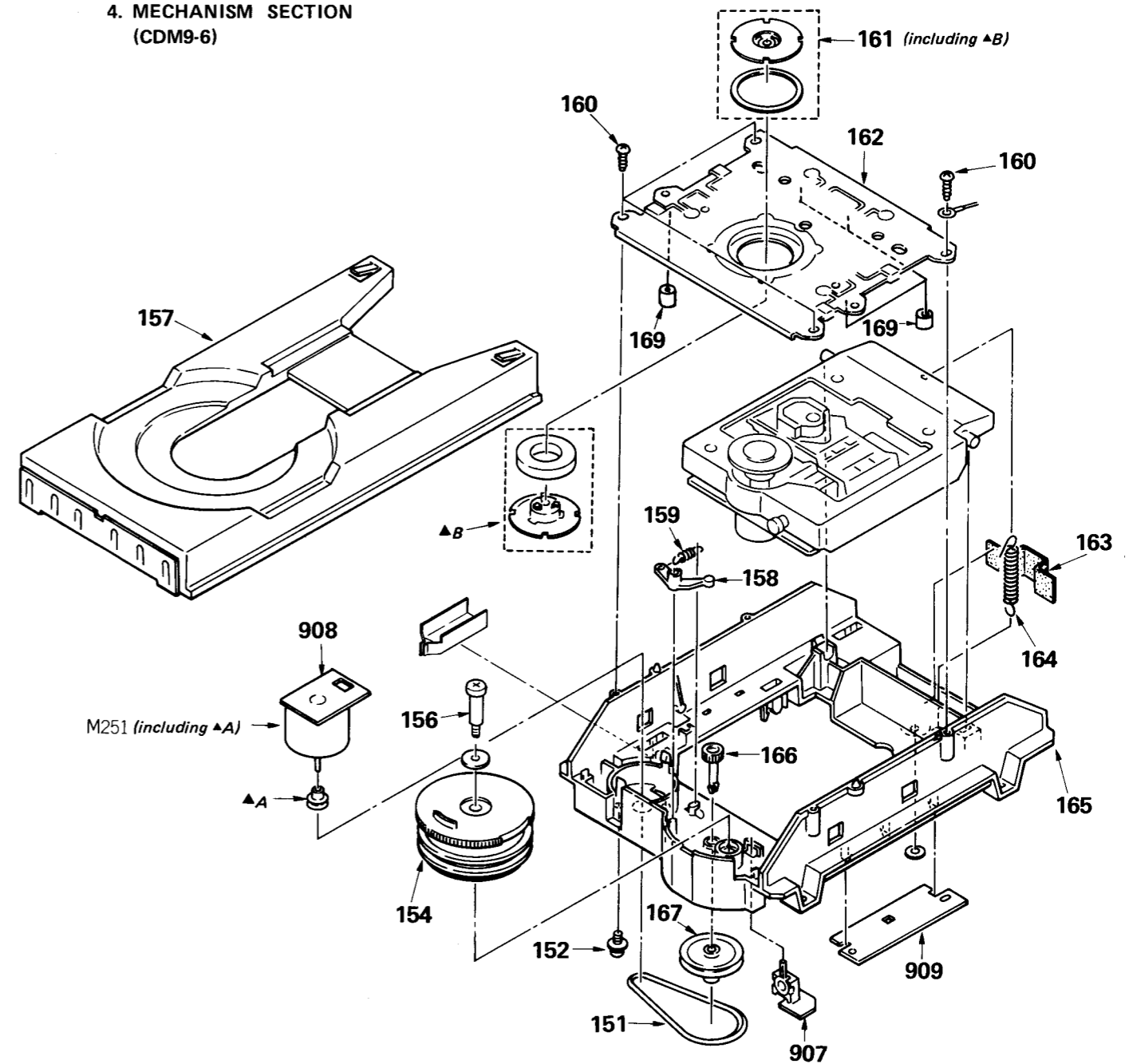
3. FRONT PANEL



Ref.No	Part No.	Description
101	4-922-531-01	KNOB (A TYPE),VOL
102	4-922-586-01	PLATE, TRANSPARENT
103	4-922-595-01	PANEL (SUB RIGHT)
104	4-922-596-01	PANEL (SUB LEFT)
105	4-922-518-11	KNOB (TIMER)
106	7-685-134-19	SCREW +BTP 2.6X8 TYPE2 N-S
108	4-922-590-01	BUTTON (9 GANG)
109	4-922-591-01	BUTTON (3 GANG)
110	4-922-587-01	BUTTON, 10 GANG

Ref.No	Part No.	Description
111	4-922-592-01	BUTTON (10 GANG)
112	*4-922-523-01	HOLDER (RIGHT)
113	*4-922-524-01	HOLDER (LEFT)
114	*4-923-503-01	PLATE, INDICATION, RAY CATCHER
902	*A-4655-060-A	MOUNTED PCB, DISPLAY
910	*1-624-421-11	PC BOARD, VOL
911	*1-624-422-11	PC BOARD, MOTOR
912	*1-624-423-11	PC BOARD, TIMER
913	*1-624-424-11	PC BOARD, JACK

4. MECHANISM SECTION  
(CDM9-6)

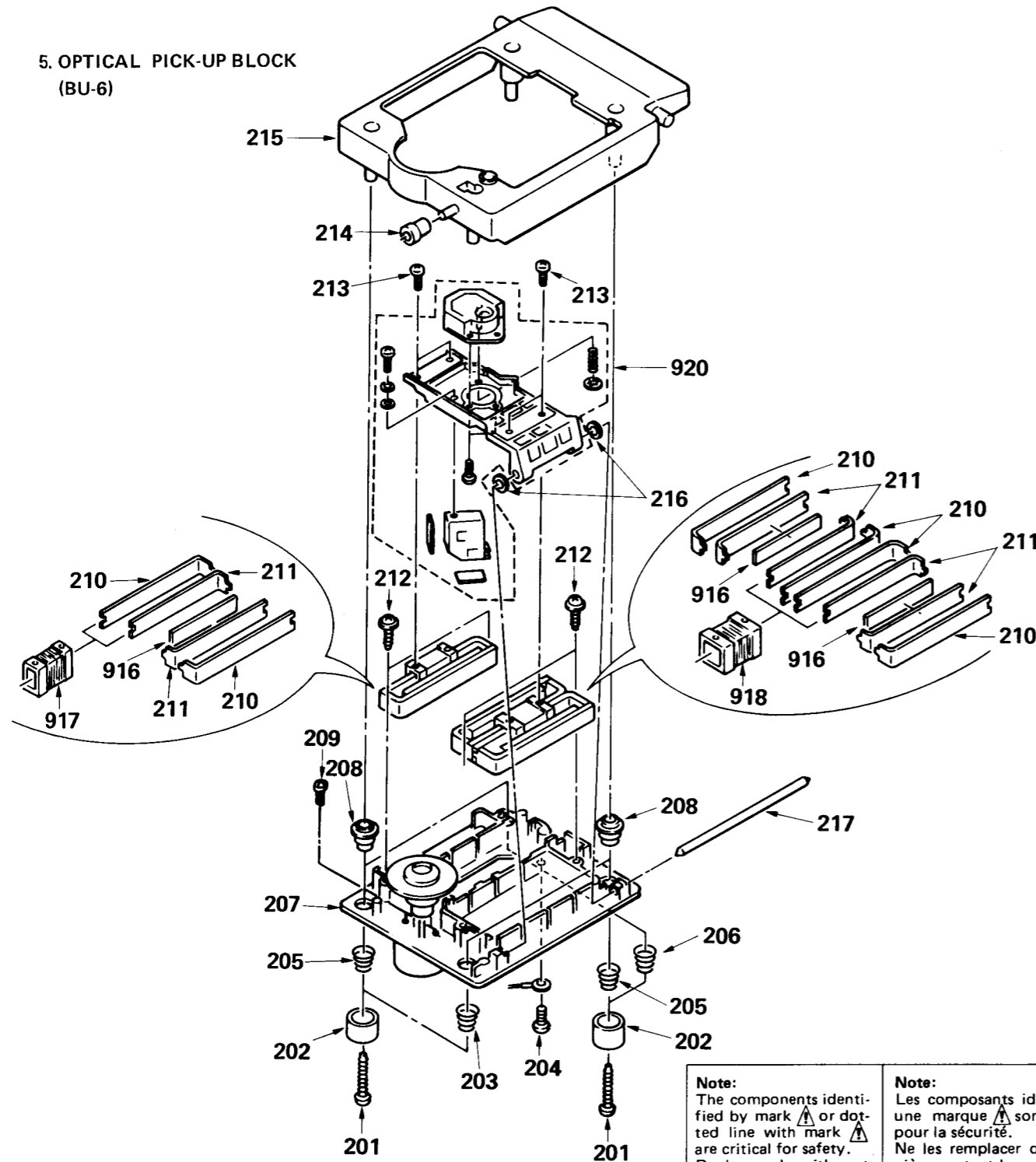


Ref.No	Part No.	Description
151	4-917-522-02	BELT
152	7-628-254-10	+PSW, 2.6X6
154	4-922-511-01	GEAR (LOADING)
156	4-923-597-11	SCREW, STEP
157	*4-922-515-01	TABLE, DISK
158	4-917-519-01	LEVER, SET
159	4-917-514-01	SPRING, TENSION
160	7-685-646-79	SCREW +BTP 3X8 TYPE2 N-S
161	A-4665-024-A	MAGNET ASSY
162	*4-922-510-01	REINFORCEMENT

Ref.No	Part No.	Description
163	*4-923-553-01	CUSHION, VIBRATION PROOF
164	4-922-506-01	SPRING, TENSION
165	*4-922-516-01	CHASSIS (MD)
166	4-922-508-01	GEAR (DRIVING)
167	4-922-512-01	PULLEY
169	*4-922-529-01	DAMPER
907	1-624-323-11	PC BOARD, LOADING SW
908	1-624-324-11	PC BOARD, LOADING MOTOR
909	1-624-326-11	PC BOARD, TRANSLATION
M251	A-4608-346-A	MOTOR ASSY, L

SECTION 5  
ELECTRICAL PARTS LIST

5. OPTICAL PICK-UP BLOCK  
(BU-6)



**Note:**  
The components identified by mark  $\Delta$  or dotted line with mark  $\Delta$  are critical for safety. Replace only with part number specified.

**Note:**  
Les composants identifiés par une marque  $\Delta$  sont critiques pour la sécurité. Ne les remplacer que par une pièce portant le numéro spécifié.

Ref.No	Part No.	Description
201	7-685-135-19	SCREW +BTP 2.6X10 TYPE2 N-S
202	4-917-508-01	HOLDER, SP
203	4-917-573-01	SPRING (E)
204	7-621-770-67	SCREW +BVTT 2.6X6 (S)
205	4-917-572-01	SPRING (B)
206	4-917-571-01	SPRING (A)
207	X-4917-525-1	MOTOR ASSY
208	*4-917-584-11	INSULATOR
209	7-621-772-00	+B 2X3
210	*4-917-581-01	YOKE (B)
211	*4-917-580-01	YOKE (A)

Ref.No	Part No.	Description
212	*4-917-583-01	SCREW, YOKE RETAINER
213	3-318-203-61	SCREW, PRECISION, +PTB 1.7X4
214	4-917-515-01	ROLLER
215	*4-922-513-01	BRACKET (BU-6)
216	*4-917-582-01	CUSHION SLIDE
217	*4-917-579-01	GUIDE SHAFT
916	*1-452-411-11	LINEAR MAGNET
917	1-422-302-11	COIL, (DETECT)
918	1-422-301-11	COIL, (DRIVE)
920	$\Delta$ 8-848-064-01	OPTICAL PICK-UP BLOCK (KSS-151A)

NOTE:

- Due to standardization, replacements in the parts list may be different from the parts specified in the diagrams or the components used on the set.
- Items marked "\*" are not stocked since they are seldom required for routine service. Some delay should be anticipated when ordering these items.
- If there are two or more same circuits in a set such as a stereophonic machine, only typical circuit parts may be indicated and capacitors and resistors in other same circuits may be omitted.

CAPACITORS:  
MF:  $\mu$ F, PF:  $\mu$  $\mu$ F.

RESISTORS  
• All resistors are in ohms.  
• F: Nonflammable

COILS  
• MMH: mH, UH:  $\mu$ H

SEMICONDUCTORS  
In each case, U:  $\mu$ , for example:  
UA...:  $\mu$ A..., UPA...:  $\mu$ PA...,  
UPC...:  $\mu$ PC, UPD...:  $\mu$ PD...

The components identified by mark  $\Delta$  or dotted line with mark  $\Delta$  are critical for safety. Replace only with part number specified.

Les composants identifiés par une marque  $\Delta$  sont critiques pour la sécurité. Ne les remplacer que par une pièce portant le numéro spécifié.

Ref.No	Part No.	Description	Ref.No	Part No.	Description	Value	Tolerance	Voltage
901	*A-4651-177-A	(E, UK)... MOUNTED PCB, MAIN	C214	1-124-908-11	ELECT	22MF	20%	25V
901	*A-4651-198-A	(US, Canadian, AEP)... MOUNTED PCB, MAIN	C215	1-124-908-11	ELECT	22MF	20%	25V
902	*A-4655-060-A	MOUNTED PCB, DISPLAY	C216	1-123-382-00	ELECT	3.3MF	20%	50V
903	1-464-878-11	TRANSMITTER UNIT, RAY	C217	1-136-165-00	FILM	0.1MF	5%	50V
904	*1-535-122-00	TERMINAL	C218	1-123-382-00	ELECT	3.3MF	20%	50V
905	*1-535-139-00	BASE POST 19MM (10MM PITCH) 2P	C219	1-136-159-00	FILM	0.033MF	5%	50V
906	*1-535-688-11	TERMINAL	C220	1-136-165-00	FILM	0.1MF	5%	50V
907	*1-624-323-11	PC BOARD, LOADING SW	C221	1-130-479-00	MYLAR	0.0047MF	5%	50V
908	*1-624-324-11	PC BOARD, LOADING MOTOR	C222	1-124-499-11	ELECT	1MF	20%	50V
909	*1-624-326-11	PC BOARD, TRANSLATION	C223	1-124-927-11	ELECT	4.7MF	20%	50V
910	*1-624-421-11	PC BOARD, VOL	C224	1-124-908-11	ELECT	22MF	20%	25V
911	*1-624-422-11	PC BOARD, MOTOR	C225	1-162-294-31	CERAMIC	0.001MF	10%	50V
912	*1-624-423-11	PC BOARD, TIMER	C226	1-162-282-31	CERAMIC	100PF	10%	50V
913	*1-624-424-11	PC BOARD, JACK	C227	1-124-908-11	ELECT	22MF	20%	25V
914	*1-624-469-11	PC BOARD, POWER	C229	1-162-851-11	CERAMIC	0.1MF	20%	16V
915	*1-624-470-11	PC BOARD, D/O	C231	1-124-908-11	ELECT	22MF	20%	25V
920	$\Delta$ 8-848-064-01	OPTICAL PICK-UP BLOCK (KSS-151A)	C251	1-136-157-00	FILM	0.022MF	5%	50V
921	$\Delta$ 1-555-795-00	(AEP)...CORD, POWER	C252	1-136-157-00	FILM	0.022MF	5%	50V
921	$\Delta$ 1-556-035-00	(UK)...CORD, POWER	C301	1-162-851-11	CERAMIC	0.1MF	20%	16V
921	$\Delta$ 1-557-577-11	(US, Canadian)...CORD, POWER	C302	1-124-908-11	ELECT	22MF	20%	25V
921	$\Delta$ 1-558-795-00	(E)...CORD, POWER	C303	1-161-379-00	CERAMIC	0.01MF	20%	16V
CAPACITOR								
C102	1-124-443-00	ELECT	100MF	20%	6.3V			
C103	1-162-199-31	CERAMIC	10PF	5%	50V			
C104	1-162-199-31	CERAMIC	10PF	5%	50V			
C105	1-162-198-31	CERAMIC	8.2PF	10%	50V			
C106	1-124-908-11	ELECT	22MF	20%	25V			
C107	1-130-477-00	MYLAR	0.0033MF	5%	50V			
C108	1-136-159-00	FILM	0.033MF	5%	50V			
C109	1-162-851-11	CERAMIC	0.1MF	20%	16V			
C110	1-124-908-11	ELECT	22MF	20%	25V			
C111	1-136-159-00	FILM	0.033MF	5%	50V			
C112	1-136-153-00	FILM	0.01MF	5%	50V			
C113	1-124-908-11	ELECT	22MF	20%	25V			
C114	1-162-851-11	CERAMIC	0.1MF	20%	16V			
C115	1-161-375-00	CERAMIC	0.0022MF	30%	16V			
C116	1-161-377-00	CERAMIC	0.0047MF	30%	16V			
C117	1-124-902-00	ELECT	0.47MF	20%	50V			
C200	1-161-379-00	CERAMIC	0.01MF	20%	16V			
C201	1-124-478-11	ELECT	100MF	20%	25V			
C202	1-124-478-11	ELECT	100MF	20%	25V			
C203	1-162-851-11	CERAMIC	0.1MF	20%	16V			
C204	1-162-851-11	CERAMIC	0.1MF	20%	16V			
C205	1-162-294-31	CERAMIC	0.001MF	10%	50V			
C206	1-162-294-31	CERAMIC	0.001MF	10%	50V			
C207	1-162-851-11	CERAMIC	0.1MF	20%	16V			
C208	1-136-155-00	FILM	0.015MF	5%	50V			
C209	1-136-161-00	FILM	0.047MF	5%	50V			
C210	1-162-851-11	CERAMIC	0.1MF	20%	16V			
C211	1-162-851-11	CERAMIC	0.1MF	20%	16V			
C212	1-124-478-11	ELECT	100MF	20%	25V			
C213	1-124-478-11	ELECT	100MF	20%	25V			
C304	1-124-902-00	ELECT	0.47MF	20%	50V			
C305	1-136-159-00	FILM	0.033MF	5%	50V			
C306	1-124-478-11	ELECT	100MF	20%	25V			
C307	1-136-173-00	FILM	0.47MF	5%	50V			
C308	1-162-851-11	CERAMIC	0.1MF	20%	16V			
C321	1-162-179-11	CERAMIC	0.1MF	20%	50V			
C353	1-124-908-11	ELECT	22MF	20%	25V			
C354	1-124-908-11	ELECT	22MF	20%	25V			
C355	1-162-179-11	CERAMIC	0.1MF	20%	50V			
C356	1-162-294-31	CERAMIC	0.001MF	10%	50V			
C380	1-123-343-00	ELECT	33MF	20%	25V			
C382	1-162-219-31	CERAMIC	68PF	5%	50V			
C383	1-162-179-11	CERAMIC	0.1MF	20%	50V			
C384	1-162-179-11	CERAMIC	0.1MF	20%	50V			
C386	1-162-179-11	CERAMIC	0.1MF	20%	50V			
C387	1-162-282-31	CERAMIC	100PF	10%	50V			
C390A	1-124-443-00	ELECT	100MF	20%	10V			
C390B	1-162-179-11	CERAMIC	0.1MF	20%	50V			
C391	1-124-443-00	ELECT	100MF	20%	10V			
C400	1-136-165-00	FILM	0.1MF	5%	50V			
C401	1-136-165-00	FILM	0.1MF	5%	50V			
C402	1-136-165-00	FILM	0.1MF	5%	50V			
C403	1-136-165-00	FILM	0.1MF	5%	50V			
C404	1-136-165-00	FILM	0.1MF	5%	50V			
C405	1-136-165-00	FILM	0.1MF	5%	50V			
C406	1-136-165-00	FILM	0.1MF	5%	50V			
C407	1-136-232-11	FILM	0.0043MF	3%	100V			
C408	1-130-977-11	FILM	0.036MF	3%	100V			
C409	1-130-955-00	FILM	0.01MF	3%	100V			
C410	1-136-232-11	FILM	0.0043MF	3%	100V			
C411	1-136-227-11	FILM	0.0011MF	3%	100V			

Ref.No	Part No.	Description			
C412	1-124-929-11	ELECT	22MF	20%	63V
C413	1-130-848-00	FILM	0.0082MF	10%	100V
C414	1-104-284-91	POLYSTYRENE	180PF	5%	50V
C450A	1-126-012-61	ELECT	470MF	20%	16V
C450B	1-136-165-00	FILM	0.1MF	5%	50V
C451A	1-126-012-61	ELECT	470MF	20%	16V
C451B	1-136-165-00	FILM	0.1MF	5%	50V
C452	1-136-165-00	FILM	0.1MF	5%	50V
C453	1-136-165-00	FILM	0.1MF	5%	50V
C454	1-136-165-00	FILM	0.1MF	5%	50V
C455A	1-161-494-00	CERAMIC	0.022MF		25V
C455B	1-136-165-00	FILM	0.1MF	5%	50V
C456	1-136-165-00	FILM	0.1MF	5%	50V
C500	1-136-165-00	FILM	0.1MF	5%	50V
C501	1-136-165-00	FILM	0.1MF	5%	50V
C502	1-136-165-00	FILM	0.1MF	5%	50V
C503	1-136-165-00	FILM	0.1MF	5%	50V
C504	1-136-165-00	FILM	0.1MF	5%	50V
C505	1-136-165-00	FILM	0.1MF	5%	50V
C506	1-136-165-00	FILM	0.1MF	5%	50V
C507	1-136-232-11	FILM	0.0043MF	3%	100V
C508	1-130-977-11	FILM	0.036MF	3%	100V
C509	1-130-955-00	FILM	0.01MF	3%	100V
C510	1-136-232-11	FILM	0.0043MF	3%	100V
C511	1-136-227-11	FILM	0.0011MF	3%	100V
C512	1-124-929-11	ELECT	22MF	20%	63V
C513	1-130-848-00	FILM	0.0082MF	10%	100V
C514	1-104-284-91	POLYSTYRENE	180PF	5%	50V
C520	1-162-290-31	CERAMIC	470PF	10%	50V
C525	1-162-202-31	CERAMIC	13PF	5%	50V
C526	1-162-202-31	CERAMIC	13PF	5%	50V
C527	1-162-291-31	CERAMIC	560PF	10%	50V
C528	1-162-179-11	CERAMIC	0.1MF		50V
C529	1-123-333-00	ELECT	100MF	20%	25V
C530	1-123-334-00	ELECT	220MF	20%	25V
C531	1-123-334-00	ELECT	220MF	20%	25V
C532	1-123-334-00	ELECT	220MF	20%	25V
C533	1-123-334-00	ELECT	220MF	20%	25V
C550	1-136-165-00	FILM	0.1MF	5%	50V
C551	1-136-165-00	FILM	0.1MF	5%	50V
C552	1-136-165-00	FILM	0.1MF	5%	50V
C553	1-136-165-00	FILM	0.1MF	5%	50V
C554	1-136-165-00	FILM	0.1MF	5%	50V
C555A	1-161-494-00	CERAMIC	0.022MF		25V
C555B	1-136-165-00	FILM	0.1MF	5%	50V
C556	1-136-165-00	FILM	0.1MF	5%	50V
C570	1-162-290-31	CERAMIC	470PF	10%	50V
C571	1-123-380-00	ELECT	1MF	20%	100V
C572	1-123-380-00	ELECT	1MF	20%	100V
C801	1-162-207-31	CERAMIC	22PF	5%	50V
C802	1-162-207-31	CERAMIC	22PF	5%	50V
C803	1-162-179-11	CERAMIC	0.1MF		50V
C804	1-123-661-00	ELECT	100MF	20%	6.3V
C805	1-161-379-00	CERAMIC	0.01MF	20%	16V
C900	1-126-017-11	ELECT	6800MF	20%	16V
C901	1-124-556-11	ELECT	2200MF	20%	16V
C902	1-124-499-11	ELECT	1MF	20%	50V
C903	1-124-925-11	ELECT	2.2MF	20%	50V
C904	1-126-244-51	ELECT	47000MF		5.5V
C910	1-124-887-00	ELECT	3300MF	20%	16V
C911	1-124-120-11	ELECT	220MF	20%	16V
C920	1-130-789-00	FILM	1MF	10%	100V
C921	1-136-165-00	FILM	0.1MF	5%	50V
C922	1-124-636-00	ELECT	3300MF	20%	25V
C923	1-124-918-11	ELECT	47MF	20%	63V

Ref.No	Part No.	Description			
C924	1-123-333-00	ELECT	100MF	20%	25V
C932	1-124-636-00	ELECT	3300MF	20%	25V
C933	1-124-918-11	ELECT	47MF	20%	63V
C940	1-124-122-11	ELECT	100MF	20%	50V
C941	1-124-122-11	ELECT	100MF	20%	50V
C942	1-124-479-11	ELECT	330MF	20%	25V
C943	1-124-919-11	ELECT	220MF	20%	63V
C944	1-124-913-11	ELECT	470MF	20%	50V
C990	1-161-744-00	CERAMIC	0.01MF		400V
C991	1-161-744-00	(US, Canadian) ...CERAMIC	0.01MF		400V
C991	1-162-578-00	(AEP, UK) ...CERAMIC	0.0047MF		400V
C992	1-161-744-00	(US, Canadian) ...CERAMIC	0.01MF		400V
C992	1-162-578-00	(AEP, UK) ...CERAMIC	0.0047MF		400V
CN110	*1-562-883-11	SOCKET, CONNECTOR 20P			
CN153	*1-564-704-11	PIN, CONNECTOR (SMALL TYPE) 2P			
CN256	*1-564-336-51	PIN, CONNECTOR 2P			
CN257	*1-564-704-11	PIN, CONNECTOR (SMALL TYPE) 2P			
CN258	*1-564-337-51	PIN, CONNECTOR 3P			
CNJ801	*1-564-497-11	PIN, CONNECTOR 4P			
CNP101	*1-564-338-71	PIN, CONNECTOR 4P			
CNP102	*1-564-340-51	PIN, CONNECTOR 6P			
CNP201	*1-564-340-61	PIN, CONNECTOR 6P			
CNP203	*1-564-338-51	PIN, CONNECTOR 4P			
CNP204	*1-564-338-81	PIN, CONNECTOR 4P			
CNP302	*1-564-340-51	PIN, CONNECTOR 6P			
CNP303	*1-564-666-11	PIN, CONNECTOR 10P			
CNP304	*1-564-338-51	PIN, CONNECTOR 4P			
CNP380	*1-564-706-31	PIN, CONNECTOR (SMALL TYPE) 4P			
CNP400	*1-564-705-31	PIN, CONNECTOR (SMALL TYPE) 3P			
CNP401	*1-564-705-21	PIN, CONNECTOR (SMALL TYPE) 3P			
CNP901	*1-564-340-71	PIN, CONNECTOR 6P			
CNP902	*1-564-705-11	PIN, CONNECTOR (SMALL TYPE) 3P			
CP450	1-233-128-11	COMPOSITION CIRCUIT BLOCK			
CP550	1-233-128-11	COMPOSITION CIRCUIT BLOCK			
D101	8-719-940-76	DIODE 1SS132T			
D201	8-719-940-76	DIODE 1SS132T			
D500	8-719-940-76	DIODE 1SS132T			
D900	8-719-937-50	DIODE DF02M			
D901	8-719-940-76	DIODE 1SS132			
D902	8-719-940-76	DIODE 1SS132			
D903	8-719-940-76	DIODE 1SS132			
D904	8-719-940-76	DIODE 1SS132			
D920	8-719-230-02	DIODE 30DF2			
D921	8-719-230-02	DIODE 30DF2			
D922	8-719-230-02	DIODE 30DF2			
D923	8-719-230-02	DIODE 30DF2			
D940	8-719-200-77	DIODE 10E2N			
D941	8-719-200-77	DIODE 10E2N			
D942	8-719-200-77	DIODE 10E2N			
D943	8-719-200-77	DIODE 10E2N-TA2			
D944	8-719-934-26	DIODE HZS33-2L			
D945	8-719-933-57	DIODE HZS9B2L			
FLD801	1-519-428-11	INDICATOR TUBE, FLUORESCENT			
IC101	8-752-031-80	IC CXA1081S			
IC201	8-759-202-01	IC TA7256P			
IC202	8-759-805-18	IC LA6520			
IC203	8-759-820-04	IC LC6523H-3446			

Ref.No	Part No.	Description			
IC204	8-752-032-33	IC CXA1182S			
IC301	8-759-972-50	IC MSM6408-33SS			
IC302	8-759-947-02	IC CXD1125Q			
IC303	8-752-320-44	IC CXK5816M-10L			
IC351	8-759-630-16	IC M50740A-424SP			
IC352	8-759-820-64	IC LC9600R-183			
IC380	8-759-202-11	IC TC74HC00P			
IC391	8-759-962-08	IC BA6208			
IC400	8-759-701-21	IC NJM5532D-D			
IC450	8-759-700-74	IC NJM4556S			
IC500	8-759-701-21	IC NJM5532D-D			
IC510	8-759-202-13	IC TC74HC004P			
IC520	8-759-947-22	IC CXD1144P			
IC521	8-759-973-08	IC TDA1541A-R1			
IC522	8-759-973-08	IC TDA1541A-R1			
IC801	8-752-803-49	IC CXP5058H-060Q			
IC802	8-741-138-70	IC BX-1387			
IC900	8-759-604-29	IC M5F7805			
IC904	8-759-202-12	IC TC74HC02P			
IC910	8-759-604-47	IC M5F7905			
IC920	8-759-604-34	IC M5F7815			
IC921	8-759-604-29	IC M5F7805			
IC922	8-759-604-29	IC M5F7805			
IC930	8-759-604-52	IC M5F7915			
IC931	8-759-604-47	IC M5F7905			
J380	1-507-567-71	JACK, PIN 1P (DIGITAL OUT)			
J390	1-563-727-31	JACK, LARGE TYPE (HEAD PHONES)			
J401	1-566-818-11	JACK, PIN 4P (LINE OUT)			
L380	1-410-953-11	INDUCTOR, SMALL TYPE			
L390	1-410-953-11	INDUCTOR, SMALL TYPE			
L550	1-410-953-11	INDUCTOR, SMALL TYPE			
L555	1-421-972-11	COIL, LINE FILTER (60UH)			
M251	A-4608-346-A	MOTOR ASSY, L			
PS201	1-532-675-00	(AEP, UK, E)....LINC, IC			
PS202	1-532-675-00	(AEP, UK, E)....LINC, IC			
PS205	1-532-675-00	(AEP, UK, E)....LINC, IC			
PS206	1-532-675-00	(AEP, UK, E)....LINC, IC			
PS920	1-532-675-00	(AEP, UK, E)....LINC, IC			
PS930	1-532-675-00	(AEP, UK, E)....LINC, IC			
Q101	8-729-103-43	TRANSISTOR 2SB734			
Q202	8-729-900-80	TRANSISTOR DTC114ES			
Q203	8-729-900-80	TRANSISTOR DTC114ES			
Q204	8-729-900-63	TRANSISTOR DTA114ES			
Q205	8-729-900-89	TRANSISTOR DTC144ES			
Q206	8-729-900-80	TRANSISTOR DTC114ES			
Q301	8-729-900-89	TRANSISTOR DTC144ES			
Q400	8-729-107-99	TRANSISTOR 2SC3622A-K			
Q500	8-729-107-99	TRANSISTOR 2SC3622A-K			
Q520	8-729-900-63	TRANSISTOR DTA114ES			
Q521	8-729-900-80	TRANSISTOR DTC114ES			
Q522	8-729-900-80	TRANSISTOR DTC114ES			
Q801	8-729-902-11	TRANSISTOR 2SC2021			
Q940	8-729-103-63	TRANSISTOR 2SB734			
R101	1-247-806-11	CARBON	91	5%	1/4W
R102	1-214-092-00	METAL	22	1%	1/4W
R103	1-249-417-11	CARBON	1K	5%	1/4W
R104	1-249-433-11	CARBON	22K	5%	1/4W
R105	1-249-421-11	CARBON	2.2K	5%	1/4W
R106	1-249-428-11	CARBON	8.2K	5%	1/4W
R107	1-247-860-11	CARBON	16K	5%	1/4W
R108	1-249-425-11	CARBON	4.7K	5%	1/4W

Ref.No	Part No.	Description			
R109	1-249-425-11	CARBON	4.7K	5%	1/4W
R110	1-249-432-11	CARBON	18K	5%	1/4W
R111	1-249-432-11	CARBON	18K	5%	1/4W
R112	1-249-441-11	CARBON	100K	5%	1/4W
R201	1-249-393-11	CARBON	10	5%	1/4W
R203	1-249-393-11	CARBON	10	5%	1/4W
R205	1-247-881-00	CARBON	120K	5%	1/4W
R206	1-247-883-00	CARBON	150K	5%	1/4W
R208	1-247-881-00	CARBON	120K	5%	1/4W
R210	1-247-883-00	CARBON	150K	5%	1/4W
R211	1-249-437-11	CARBON	47K	5%	1/4W
R212	1-249-436-11	CARBON	39K	5%	1/4W
R214	1-247-846-11	CARBON	4.3K	5%	1/4W
R216	1-249-393-11	CARBON	10	5%	1/4W
R217	1-247-899-11	CARBON	680K	5%	1/4W
R218	1-249-441-11	CARBON	100K	5%	1/4W
R219	1-249-423-11	CARBON	3.3K	5%	1/4W
R222	1-247-882-11	CARBON	130K	5%	1/4W
R223	1-249-393-11	CARBON	10	5%	1/4W
R224	1-24				

Ref.No	Part No.	Description			
R501	1-249-542-11	CARBON	390	5%	1/4W
R502	1-246-545-00	CARBON	1M	5%	1/4W
R503	1-249-425-11	CARBON	4.7K	5%	1/4W
R504	1-247-715-11	CARBON	1.5K	1%	1/4W
R505	1-247-715-11	CARBON	1.5K	1%	1/4W
R506	1-246-533-00	CARBON	330K	5%	1/4W
R507	1-247-700-11	CARBON	100	5%	1/4W
R508	1-247-700-11	CARBON	100	5%	1/4W
R509	1-247-700-11	CARBON	100	5%	1/4W
R521	1-249-441-11	CARBON	100K	5%	1/4W
R522	1-249-408-11	CARBON	180	5%	1/4W
R540	1-249-405-11	CARBON	100	5%	1/4W
R541	1-249-417-11	CARBON	1K	5%	1/4W
R542	1-249-417-11	CARBON	1K	5%	1/4W
R550A	1-249-429-11	CARBON	10K	5%	1/4W
R550B	1-249-409-11	CARBON	220	5%	1/4W
R551	1-247-903-00	CARBON	1M	5%	1/4W
R552	1-249-405-11	CARBON	100	5%	1/4W
R553A	1-249-405-11	CARBON	100	5%	1/4W
R553B	1-249-405-11	CARBON	100	5%	1/4W
R554	1-249-435-11	CARBON	33K	5%	1/4W
R555	1-249-417-11	CARBON	1K	5%	1/4W
R556	1-249-417-11	CARBON	1K	5%	1/4W
R557	1-249-405-11	CARBON	100	5%	1/4W
R558	1-249-417-11	CARBON	1K	5%	1/4W
R801	1-249-422-11	CARBON	2.7K	5%	1/4W
R802	1-249-422-11	CARBON	2.7K	5%	1/4W
R803	1-249-422-11	CARBON	2.7K	5%	1/4W
R804	1-249-422-11	CARBON	2.7K	5%	1/4W
R805	1-249-422-11	CARBON	2.7K	5%	1/4W
R806	1-249-422-11	CARBON	2.7K	5%	1/4W
R807	1-249-422-11	CARBON	2.7K	5%	1/4W
R808	1-249-422-11	CARBON	2.7K	5%	1/4W
R809	1-249-424-11	CARBON	3.9K	5%	1/4W
R810	1-249-424-11	CARBON	3.9K	5%	1/4W
R811	1-249-424-11	CARBON	3.9K	5%	1/4W
R812	1-249-424-11	CARBON	3.9K	5%	1/4W
R813	1-249-424-11	CARBON	3.9K	5%	1/4W
R814	1-249-424-11	CARBON	3.9K	5%	1/4W
R815	1-249-424-11	CARBON	3.9K	5%	1/4W
R816	1-249-424-11	CARBON	3.9K	5%	1/4W
R817	1-249-427-11	CARBON	6.8K	5%	1/4W
R818	1-249-427-11	CARBON	6.8K	5%	1/4W
R819	1-249-427-11	CARBON	6.8K	5%	1/4W
R820	1-249-427-11	CARBON	6.8K	5%	1/4W
R821	1-249-427-11	CARBON	6.8K	5%	1/4W
R822	1-249-427-11	CARBON	6.8K	5%	1/4W
R823	1-249-427-11	CARBON	6.8K	5%	1/4W
R824	1-249-427-11	CARBON	6.8K	5%	1/4W
R825	1-249-432-11	CARBON	18K	5%	1/4W
R826	1-249-432-11	CARBON	18K	5%	1/4W
R827	1-249-432-11	CARBON	18K	5%	1/4W
R828	1-249-432-11	CARBON	18K	5%	1/4W
R829	1-249-432-11	CARBON	18K	5%	1/4W
R830	1-249-432-11	CARBON	18K	5%	1/4W
R831	1-249-432-11	CARBON	18K	5%	1/4W
R832	1-249-432-11	CARBON	18K	5%	1/4W
R833	1-249-429-11	CARBON	10K	5%	1/4W
R834	1-249-429-11	CARBON	10K	5%	1/4W
R835	1-249-429-11	CARBON	10K	5%	1/4W
R836	1-249-429-11	CARBON	10K	5%	1/4W
R837	1-249-429-11	CARBON	10K	5%	1/4W
R838	1-249-429-11	CARBON	10K	5%	1/4W
R839	1-249-441-11	CARBON	100K	5%	1/4W
R840	1-249-429-11	CARBON	10K	5%	1/4W

Ref.No	Part No.	Description			
R842	1-249-429-11	CARBON	10K	5%	1/4W
R843	1-249-429-11	CARBON	10K	5%	1/4W
R844	1-249-429-11	CARBON	10K	5%	1/4W
R845	1-249-429-11	CARBON	10K	5%	1/4W
R846	1-249-429-11	CARBON	10K	5%	1/4W
R847	1-249-429-11	CARBON	10K	5%	1/4W
R848	1-249-429-11	CARBON	10K	5%	1/4W
R900	1-249-520-11	CARBON	47	5%	1/4W
R901	1-249-429-11	CARBON	10K	5%	1/4W
R902	1-247-887-00	CARBON	220K	5%	1/4W
R903	1-249-405-11	CARBON	100	5%	1/4W
R920	1-247-704-11	CARBON	220	5%	1/4W
R921	△ 1-212-867-91	FUSIBLE	27	5%	1/4W F
R930	1-247-704-11	CARBON	220	5%	1/4W
R940	△ 1-212-849-00	FUSIBLE	4.7	5%	1/4W F
R941	1-249-425-11	CARBON	4.7K	5%	1/4W
R942	1-249-433-11	CARBON	22K	5%	1/4W
R944	1-249-437-11	CARBON	47K	5%	1/4W
R945	1-247-891-00	CARBON	330K	5%	1/4W
RV101	1-228-995-00	RES, ADJ, METAL GLAZE 22K (E-F BALANCE)			
RV102	1-237-194-11	RES, ADJ, CARBON 20K (TRACKING GAIN)			
RV103	1-237-194-11	RES, ADJ, CARBON 20K (FOCUS GAIN)			
RV104	1-228-993-00	RES, ADJ, METAL GLAZE 4.7K (FOCUS BIAS)			
RV201	1-228-990-00	RES, ADJ, METAL GLAZE 1K (RF PLL FREQUENCY)			
RV450	1-237-917-41	RES, VAR, CARBON 10K/10K (LINE OUT, PHONE LEVEL)			
RY500	1-515-614-11	RELAY			
S251	1-571-300-11	SWITCH, ROTARY			
S380	1-571-083-11	SWITCH, SLIDE (OUT PUT SELECTOR)			
S801	1-554-303-21	SWITCH, KEY BOARD (1)			
S802	1-554-303-21	SWITCH, KEY BOARD (2)			
S803	1-554-303-21	SWITCH, KEY BOARD (3)			
S804	1-554-303-21	SWITCH, KEY BOARD (4)			
S805	1-554-303-21	SWITCH, KEY BOARD (5)			
S806	1-554-303-21	SWITCH, KEY BOARD (6)			
S807	1-554-303-21	SWITCH, KEY BOARD (7)			
S808	1-554-303-21	SWITCH, KEY BOARD (8)			
S809	1-554-303-21	SWITCH, KEY BOARD (9)			
S810	1-554-303-21	SWITCH, KEY BOARD (10)			
S811	1-554-303-21	SWITCH, KEY BOARD (11)			
S812	1-554-303-21	SWITCH, KEY BOARD (12)			
S813	1-554-303-21	SWITCH, KEY BOARD (13)			
S814	1-554-303-21	SWITCH, KEY BOARD (14)			
S815	1-554-303-21	SWITCH, KEY BOARD (15)			
S816	1-554-303-21	SWITCH, KEY BOARD (16)			
S817	1-554-303-21	SWITCH, KEY BOARD (17)			
S818	1-554-303-21	SWITCH, KEY BOARD (18)			
S819	1-554-303-21	SWITCH, KEY BOARD (19)			
S820	1-554-303-21	SWITCH, KEY BOARD (20)			
S821	1-554-596-21	SWITCH, KEY BOARD (▶▶)			
S822	1-554-596-21	SWITCH, KEY BOARD (ERASE)			
S823	1-554-596-21	SWITCH, KEY BOARD (CONTINUE/SINGLE)			
S824	1-554-596-21	SWITCH, KEY BOARD (SHUFFLE)			
S825	1-554-596-21	SWITCH, KEY BOARD (PROGRAM)			
S826	1-554-596-21	SWITCH, KEY BOARD (>20)			
S827	1-554-596-21	SWITCH, KEY BOARD (CHECK)			
S828	1-554-596-21	SWITCH, KEY BOARD (CLEAR)			
S829	1-554-596-21	SWITCH, KEY BOARD (FILE)			
S830	1-554-596-21	SWITCH, KEY BOARD (INDEX MODE)			
S831	1-554-596-21	SWITCH, KEY BOARD (INDEX →)			
S832	1-554-596-21	SWITCH, KEY BOARD (■)			
S833	1-554-596-21	SWITCH, KEY BOARD (AMS ◀◀)			
S834	1-554-596-21	SWITCH, KEY BOARD (AMS ▶▶)			
S835	1-554-596-21	SWITCH, KEY BOARD (◀◀)			

**Note:**  
The components identified by mark △ or dotted line with mark △ are critical for safety. Replace only with part number specified.

**Note:**  
Les composants identifiés par une marque △ sont critiques pour la sécurité. Ne les remplacer que par une pièce portant le numéro spécifié.



# CDP-227ESD/507ESD

Ref.No	Part No.	Description
S836	1-554-596-21	SWITCH, KEY BOARD (DISPLAY)
S837	1-554-596-21	SWITCH, KEY BOARD (▲)
S838	1-554-596-21	SWITCH, KEY BOARD (AUTO POUSE)
S839	1-554-596-21	SWITCH, KEY BOARD (REPEAT)
S840	1-554-596-21	SWITCH, KEY BOARD (INDEX ←)
S841	1-554-596-21	SWITCH, KEY BOARD (▶)
S842	1-554-596-21	SWITCH, KEY BOARD (  )
S843	1-554-481-00	SWITCH, SLIDE (TIMER)
S990	▲.1-554-920-11	SWITCH, PUSH (AC POWER) (1 KEY)
T380	1-421-946-11	TRANSFORMER, PULSE
T901	▲.1-449-285-11	(US, Canadian)...TRANSFORMER, POWER
T901	▲.1-449-286-11	(AEP, UK)...TRANSFORMER, POWER
T901	▲.1-449-287-11	(E)...TRANSFORMER, POWER
T991	▲.1-421-960-11	TRANSFORMER, LINE FILTER
▲THP901	.1-808-065-11	(AEP, UK, E)...THERMISTOR, POSITIVE
▲THP911	.1-808-065-11	(AEP, UK, E)...THERMISTOR, POSITIVE
VS901	▲.1-526-576-51	(E)...SELECTOR, POWER VOLTAGE
X301	1-567-686-11	OSCILLATOR, CERAMIC (4MHz)
X520	1-567-926-11	VIBRATOR, CRYSTAL (16.9344MHz)
X801	1-567-192-11	OSCILLATOR, CERAMIC (4MHz)

Ref.No	Part No.	Description
<u>ACCESSORY &amp; PACKING MATERIAL</u>		
	1-463-909-11	COMMANDER, REMOTE (RM-D650)
▲.	1-526-565-12	(E)...AC PLUG ADAPTOR
	1-551-315-00	CORD, CONNECTION
	3-703-390-01	(US)...INSTRUCTION
*	3-704-346-01	(EXCEPT E)...SHEET (STANDARD), PROTECTION
	3-769-608-11	(Canadian, AEP, E)...MANUAL, INSTRUCTION
	3-769-608-21	(US)...MANUAL, INSTRUCTION
	3-769-608-41	(AEP)...MANUAL INSTRUCTION
*	3-795-629-11	(AEP)...INSTRUCTION
*	4-912-947-01	KEY, LOCK
	4-922-528-01	LID, BATTERY CASE, COMMANDER
	4-923-539-11	(Canadian, US, E)...INDIVIDUAL CARTON
	4-923-539-21	(AEP, UK)...INDIVIDUAL CARTON
	4-923-540-01	CUSHION

**Note:**

The components identified by mark ▲ or dotted line with mark ▲ are critical for safety. Replace only with part number specified.

**Note:**

Les composants identifiés par une marque ▲ sont critiques pour la sécurité. Ne les remplacer que par une pièce portant le numéro spécifié.